



Tigran Parsamyan
Glendale Community College, CA

COLLEGE PORTFOLIO

CONTENT:

1. AUTODESK REVIT 3 - 51

- GLASS CANOPY .3
- CASINO BUILDING .7
- RESIDENTIAL DESIGN .10
- COMMERCIAL DESIGN .25
- PARKING STRUCTURE .40
- PARAMETRIC SINGLE HELICAL RAMP DESIGN .43
- CORNER WALL CONSTRUCTION .44
- FACADE WALL CONSTRUCTION .46
- STRAIGHT ANGLE CANOPY .48
- CUSTOM FRAMING DESIGN .49
- CUSTOM MULLION DESIGN .50
- CUSTOM SHELL MESH FRAMING DESIGN .51

2. AUTODESK AUTOCAD 52 - 63

- TWO BEDROOM CABIN .53
- 3D MODELING .59

3. ARCHITECTURAL DRAFTING 64 - 85

- DESCRIPTIVE GEOMETRY .65
- TWO CAR GARAGE .77
- CROSS BUCK DOOR & CABINET DOOR .78
- TWO BEDROOM CABIN .79

4. SKETCHES 86 - 89

- STUDIES OF SOLIDS, LIGHTS, SHADOWS, FIGURES & SHAPES .87

5. LINE & DESIGN STUDIES 90 - 96

6. WOODWORK 97 - 104

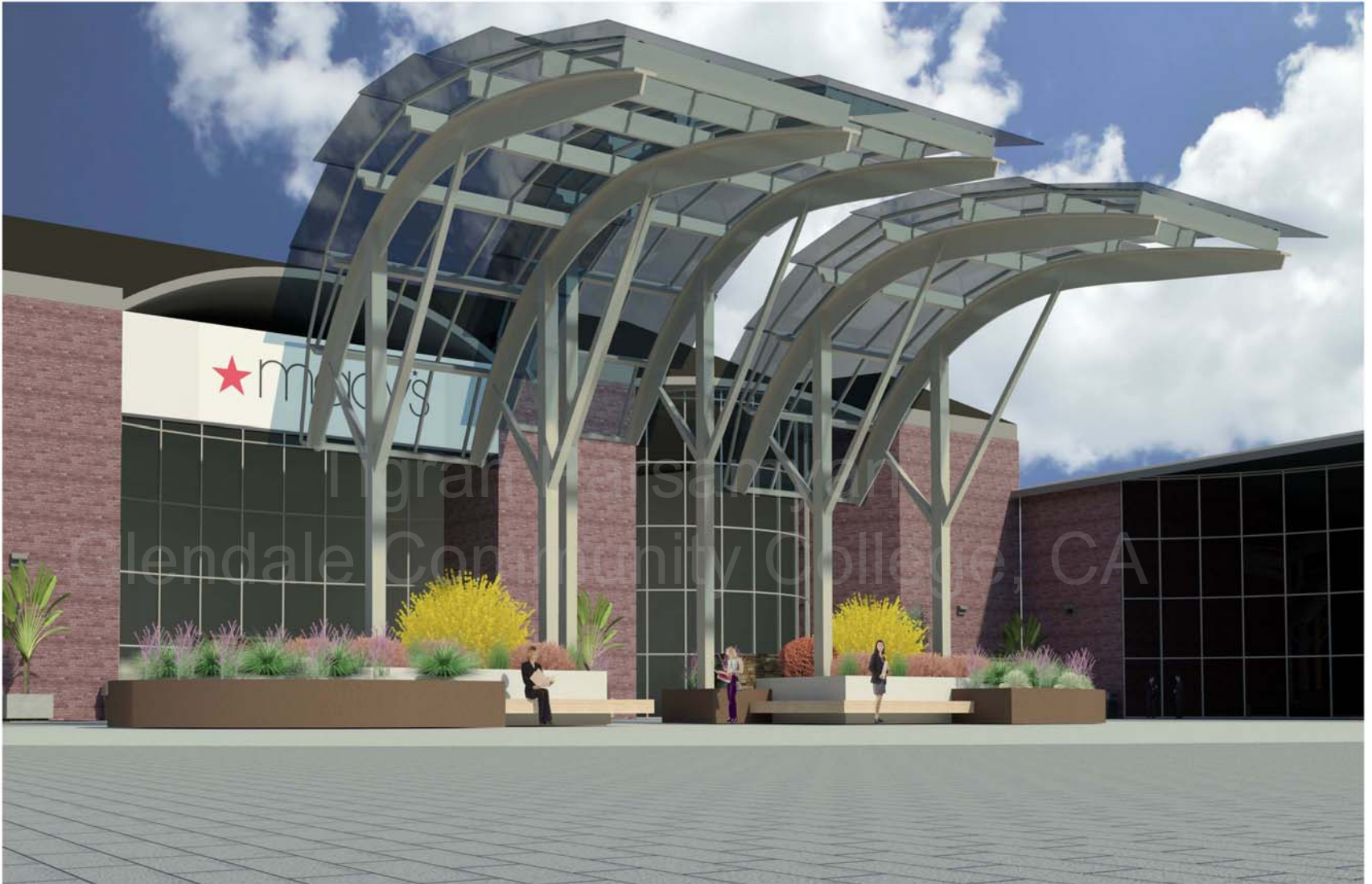
- WOODEN VASE 1 .98
- WOODEN VASE 2 .99
- NAPKIN HOLDER .100
- BUTTERFLY NAPKIN HOLDER .101
- PICTURE FRAME .102
- MOVABLE WOODEN FIGURE .104

7. GRAPHIC DESIGN 105 - 108

- INVITATION CARDS .106

8. AQUARIUM DESIGN 109 - 116

Tigran Parsamyan AUTODESK REVIT
Glendale Community College, CA

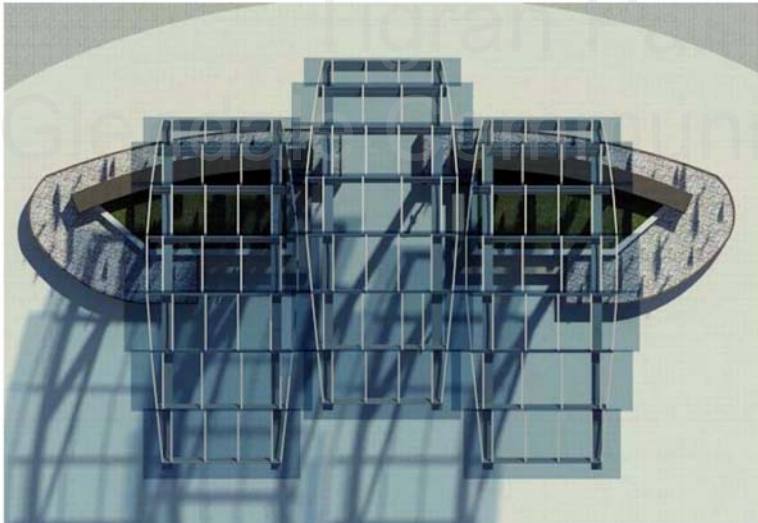


GLENDALE COMMUNITY COLLEGE
ARCHITECTURE DEPARTMENT

GLASS CANOPY

REVIT RENDERING

COLLEGE PORTFOLIO, 2013
TIGRAN PARSAMYAN



GLENDALE COMMUNITY COLLEGE
ARCHITECTURE DEPARTMENT

COLLEGE PORTFOLIO, 2013
TIGRAN PARSAMYAN

GLASS CANOPY

REVIT RENDERINGS



GLENDALE COMMUNITY COLLEGE
ARCHITECTURE DEPARTMENT

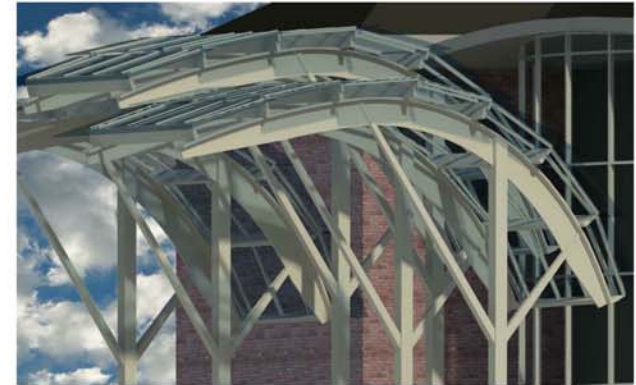
COLLEGE PORTFOLIO, 2013
TIGRAN PARSAMYAN

GLASS CANOPY

REVIT RENDERINGS:
NIGHT SCENE

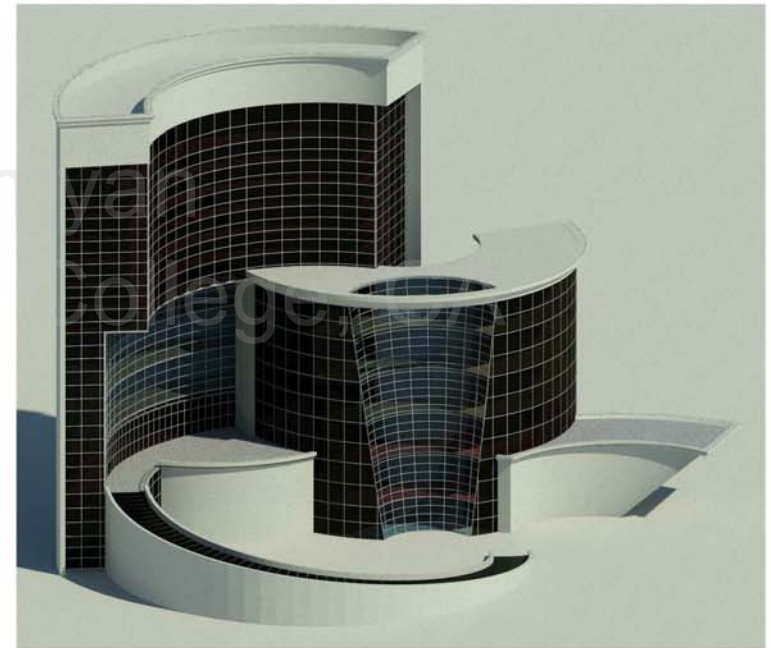
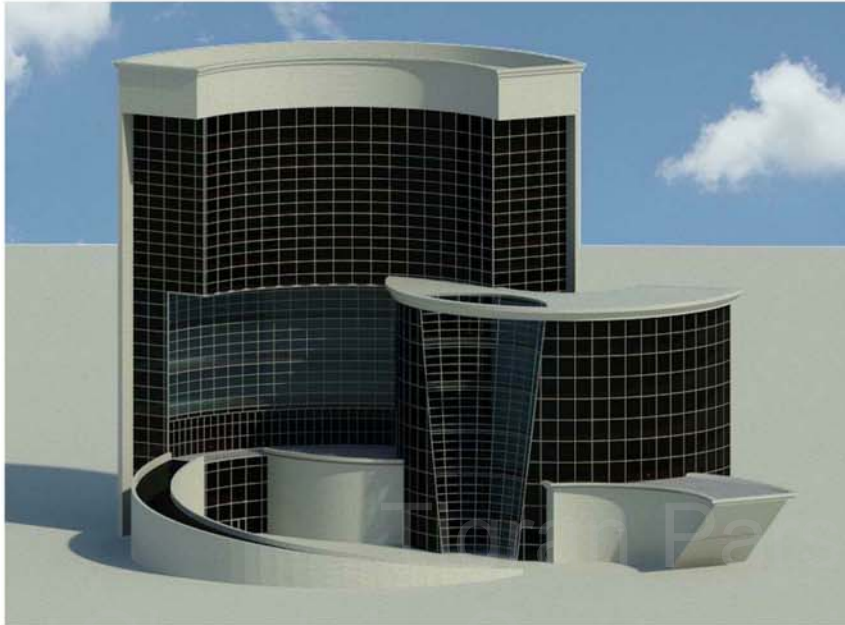


1 South
1/8" = 1'-0"



2 West
1/8" = 1'-0"





GLENDALE COMMUNITY COLLEGE
ARCHITECTURE DEPARTMENT

COLLEGE PORTFOLIO, 2013
TIGRAN PARSAMYAN

CASINO BUILDING

REVIT RENDERINGS

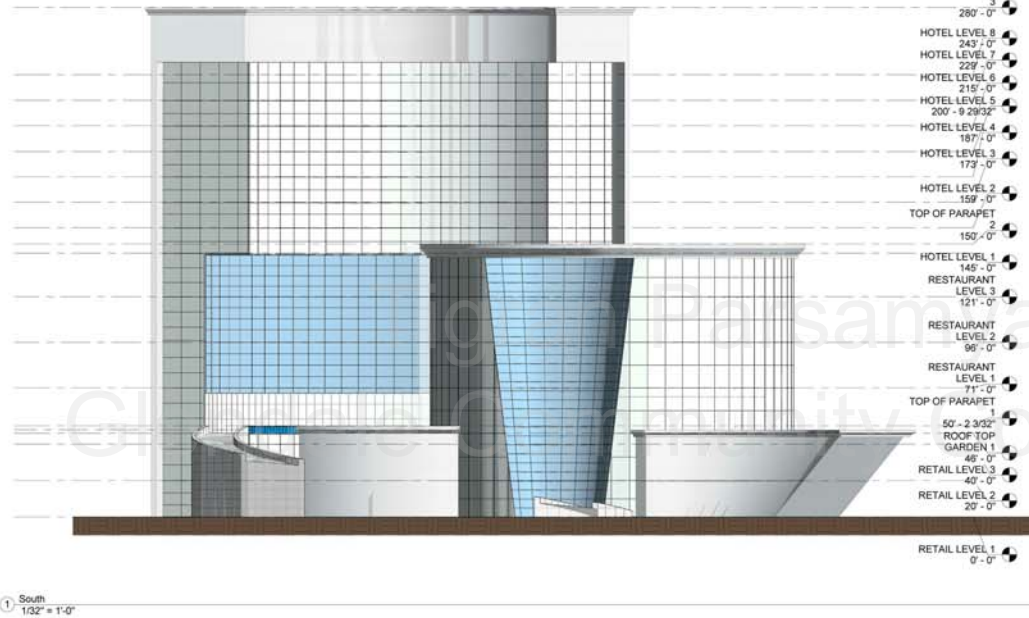


GLENDALE COMMUNITY COLLEGE
ARCHITECTURE DEPARTMENT

COLLEGE PORTFOLIO, 2013
TIGRAN PARSAMYAN

CASINO BUILDING

CASINO MASS
3D VIEW



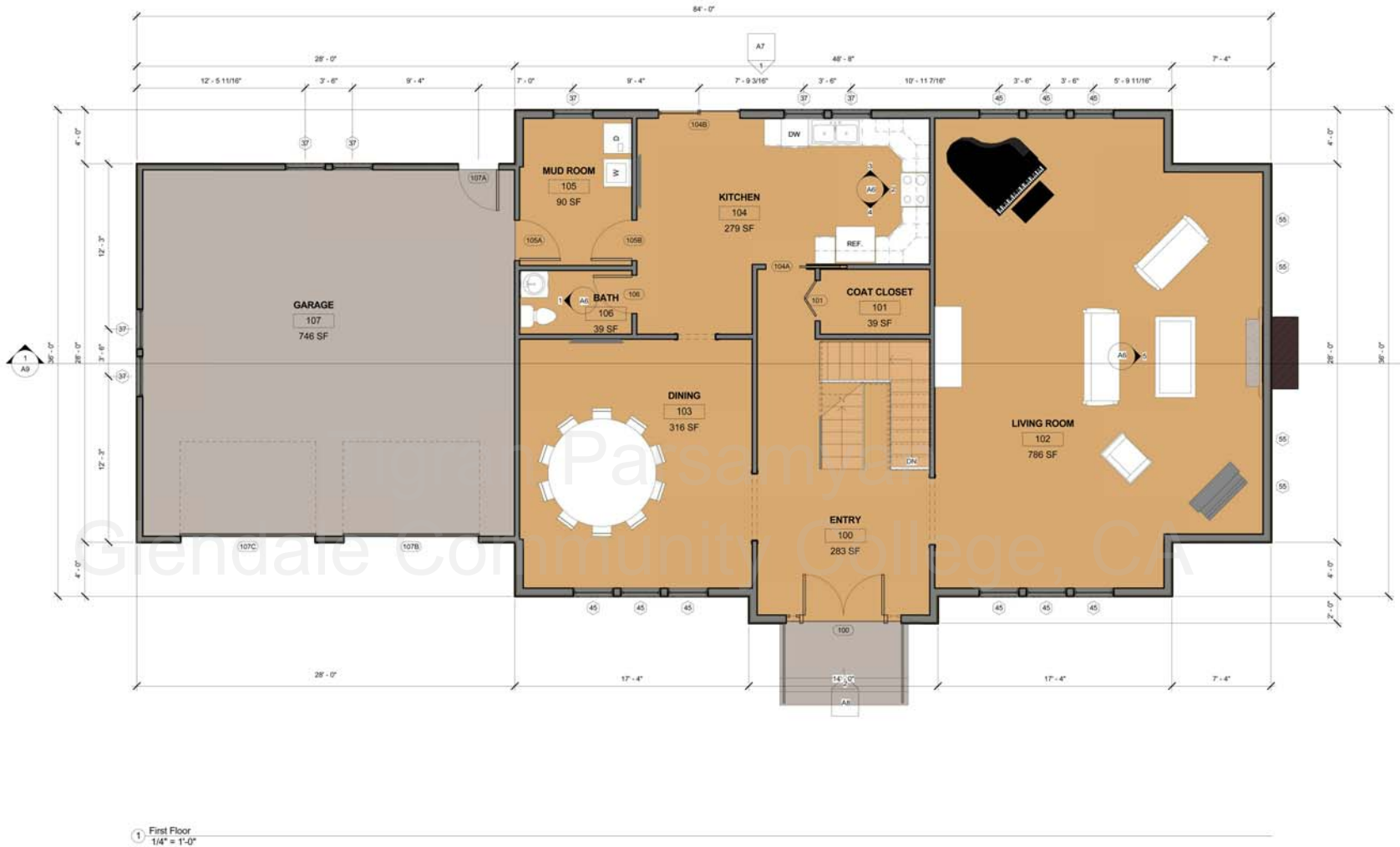


GLENDALE COMMUNITY COLLEGE
ARCHITECTURE DEPARTMENT

COLLEGE PORTFOLIO, 2013
TIGRAN PARSAMYAN

RESIDENTIAL DESIGN

REVIT RENDERINGS



GLENDALE COMMUNITY COLLEGE
ARCHITECTURE DEPARTMENT

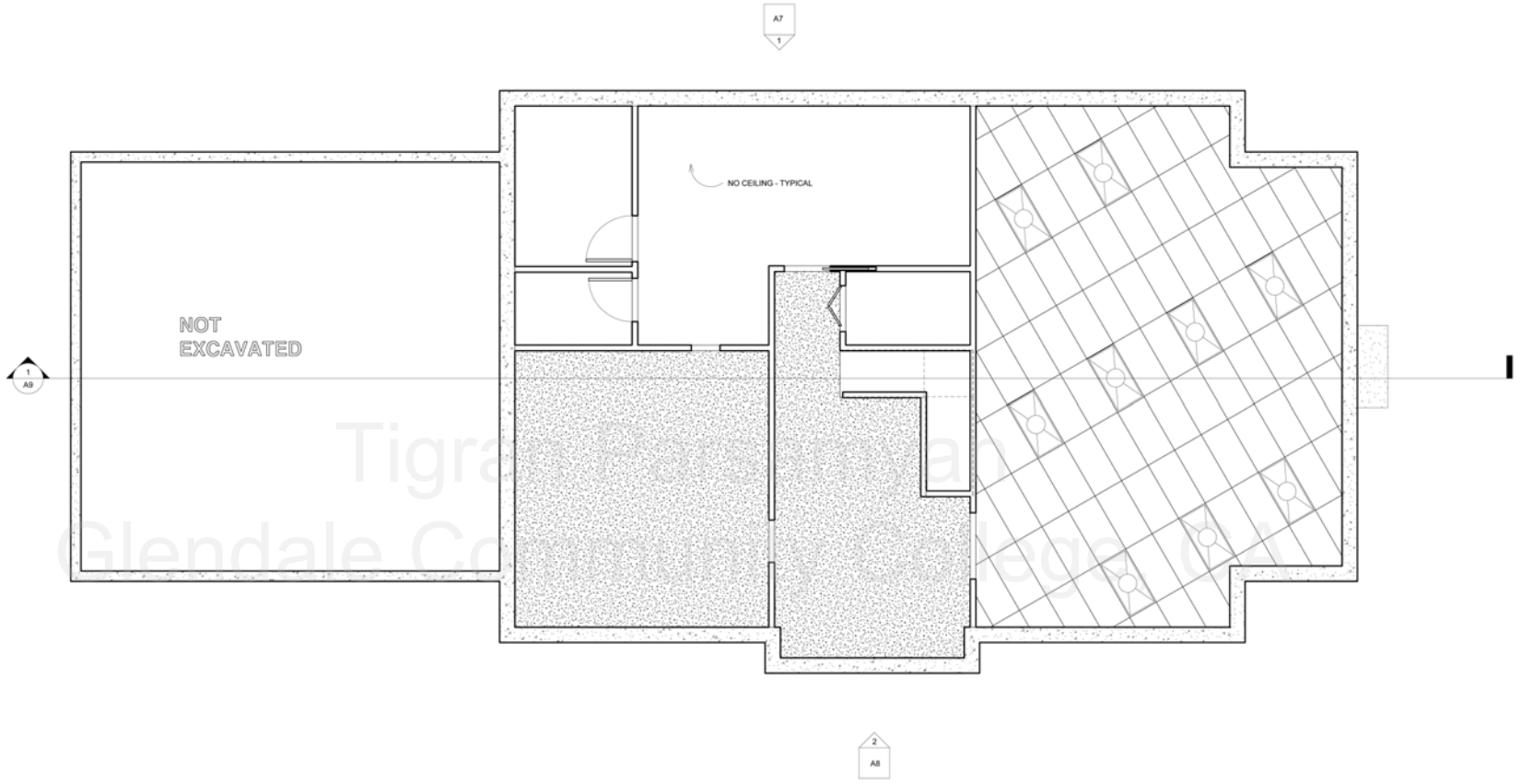
RESIDENTIAL DESIGN

FLOOR PLAN-LEVEL 1
SCALE: 1/4" = 1'-0"

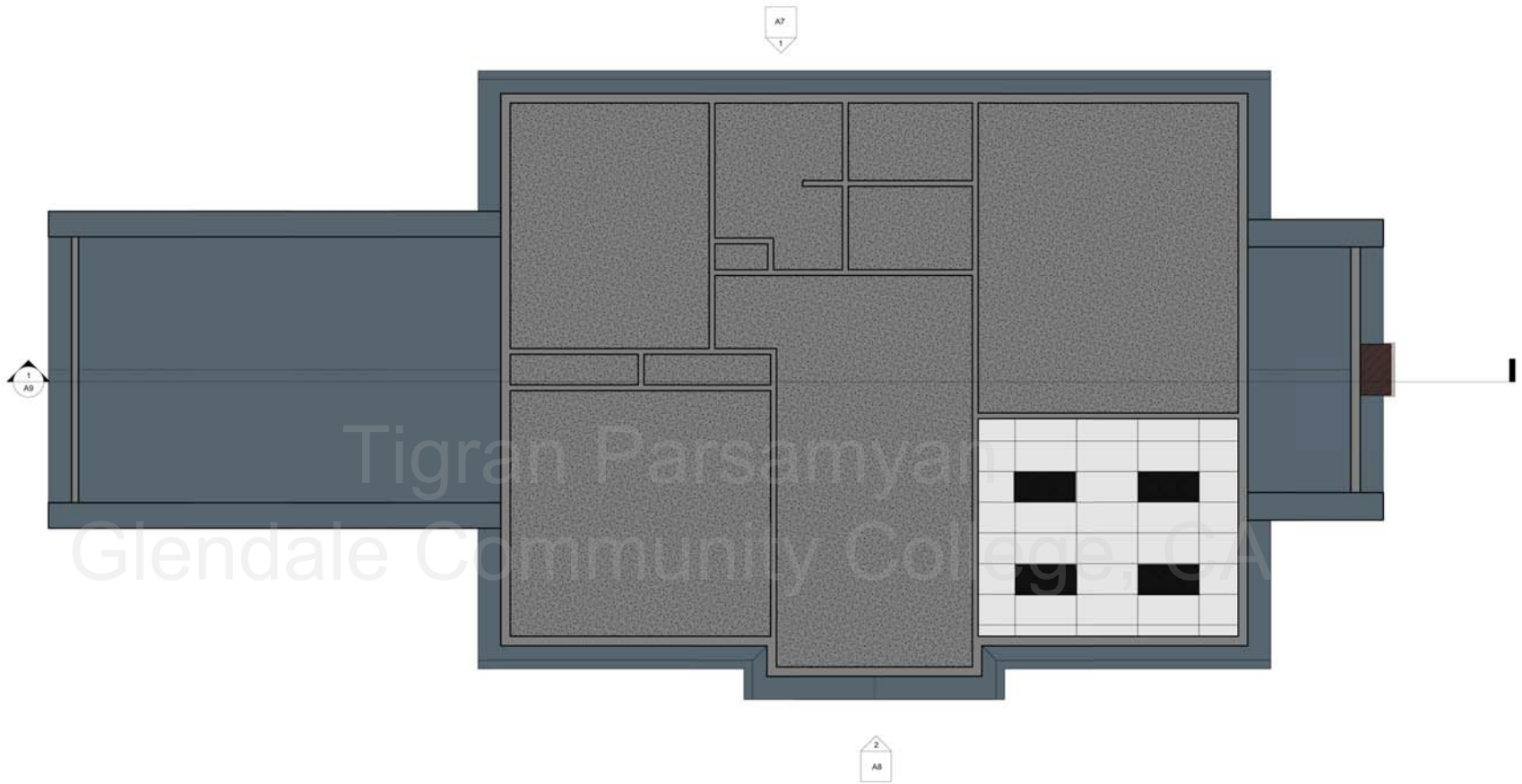
COLLEGE PORTFOLIO, 2013
TIGRAN PARSAMYAN



1 Second Floor
1/4" = 1'-0"



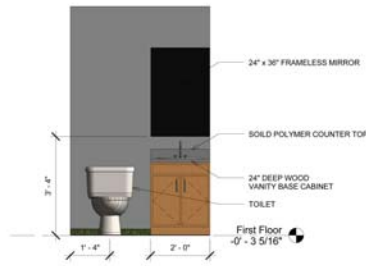
1 Basement
1/4" = 1'-0"



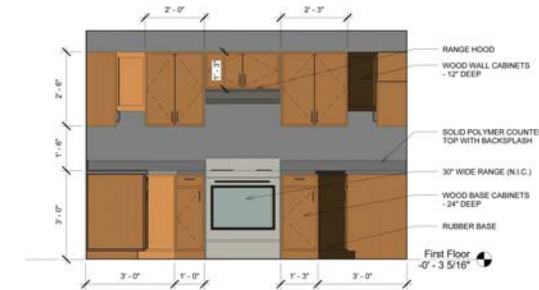
1 Second Floor
1/4" = 1'-0"



① Roof Plan
1/4" = 1'-0"



1 1/2 Bath
1/2" = 1'-0"



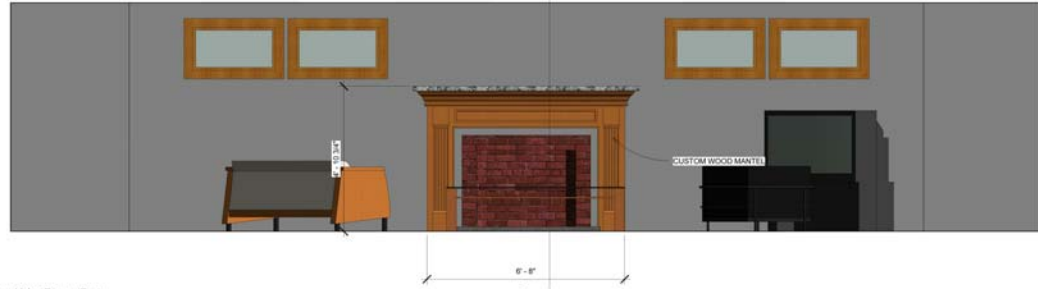
2 Kitchen (east)
1/2" = 1'-0"



3 Kitchen (north)
1/2" = 1'-0"



4 Kitchen (south)
1/2" = 1'-0"



5 Living Room - East
1/2" = 1'-0"



1 North Elevation
1/4" = 1'-0"



① West Elevation
1/4" = 1'-0"



② South - Main Entry
1/4" = 1'-0"



① South Elevation
1/4" = 1'-0"



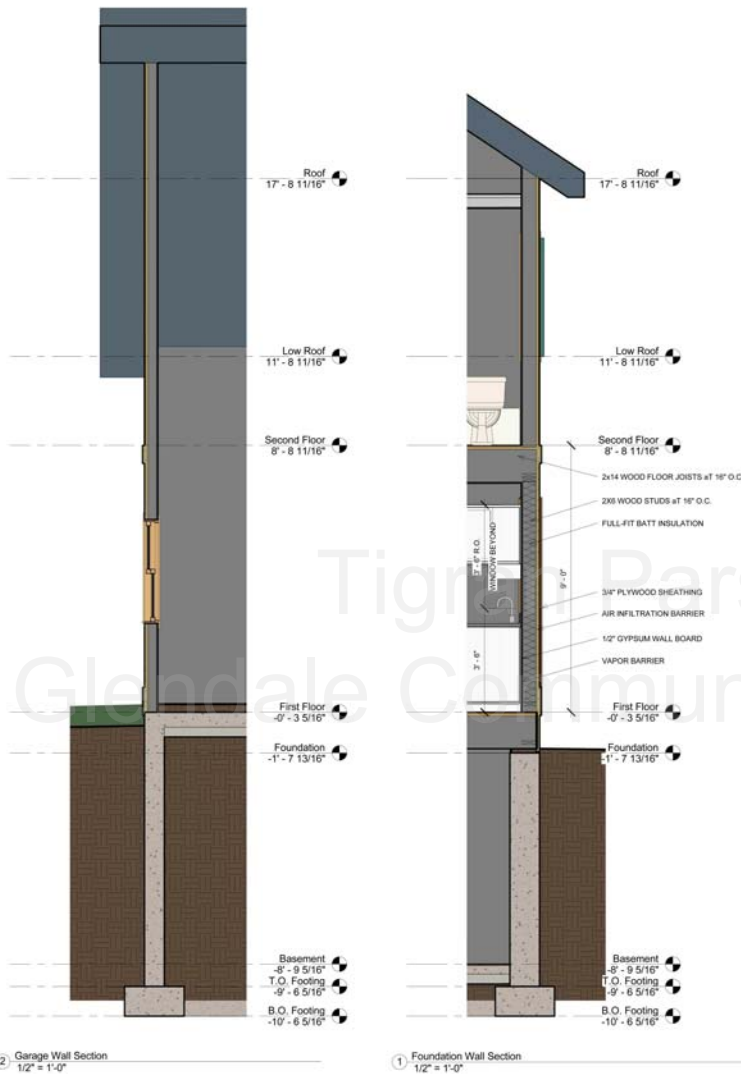
1 Longitudinal Section
1/4" = 1'-0"

GLENDALE COMMUNITY COLLEGE
ARCHITECTURE DEPARTMENT

RESIDENTIAL DESIGN

LONGITUDINAL
SECTION VIEW
SCALE: 1/4" = 1' - 0"

COLLEGE PORTFOLIO, 2013
TIGRAN PARSAMYAN





① Entry Window Option - 1



② Entry Window Option - 2

Door Schedule													
Door Number	Door Type	Door Size	Manufacturer	Model	Frame Type	Fire Rating	Details			Description	Finish		Comments
							Head	Jamb	Sill		Door	Frame	
003	85	36" x 80"											
004	61	36" x 80"											
005	93	34" x 80"											
007	92	36" x 80"											
100	82	72" x 80"											
101	61	36" x 80"											
104A	85	36" x 80"											
104B	107	72" x 84"											
105A	92	36" x 80"											
105B	92	36" x 80"											
106	93	34" x 80"											
107A	92	36" x 80"											
107B	101	120" x 84"											
107C	101	120" x 84"											
200	61	36" x 80"											
201A	75	34" x 80"											
201B	115	72" x 80"											
202A	75	34" x 80"											
202B	115	72" x 80"											
203	73	30" x 80"											
203	75	34" x 80"											
204	75	34" x 80"											
205	73	30" x 80"											

Room Finish Schedule							
Room Number	Room Name	Finish					Comments
		Floor	Base	Wall	Ceiling	Ceiling Height	
100	ENTRY						
102	LIVING ROOM						
103	DINING						
104	KITCHEN						
105	MUD ROOM						
106	BATH						
101	COAT CLOSET						
107	GARAGE						
201	BEDROOM	CARPET-1	Wood	PAINT-1	GB		
200	HALLWAY						
202	BEDROOM	CARPET-1	Wood	PAINT-1	GB		
203	BEDROOM	CARPET-1	Wood	PAINT-1	GB		
204	OFFICE						
205	Room						
206	Room						
207	Room						
001	HALLWAY						
002	FAMILY ROOM						
003	SHOP						
004	ROOM						
005	CRAFT ROOM						
006	ROOM						
007	MECH RM						

Window Schedule														
Type Mark	Rough Opening		Type	Manufacturer	Model	Material	Finish	Detail			Glazing		Head Height	Comments
	Width	Height						Head	Jamb	Sill	Thickness	Type		
37	3' - 0"	3' - 6"	Double Hung with Trim										7' - 0"	
38	2' - 0"	4' - 0"	Double Hung with Trim										7' - 0"	
45	3' - 0"	6' - 0"	Double Hung with Trim										7' - 0"	
55	3' - 0"	1' - 8"	Fixed with Trim										7' - 0"	
57	2' - 0"	2' - 3"	Skylight											



1 Site Plan
1/8" = 1'-0"



GLENDALE COMMUNITY COLLEGE
ARCHITECTURE DEPARTMENT

COLLEGE PORTFOLIO, 2013
TIGRAN PARSAMYAN

COMMERCIAL DESIGN

REVIT RENDERINGS

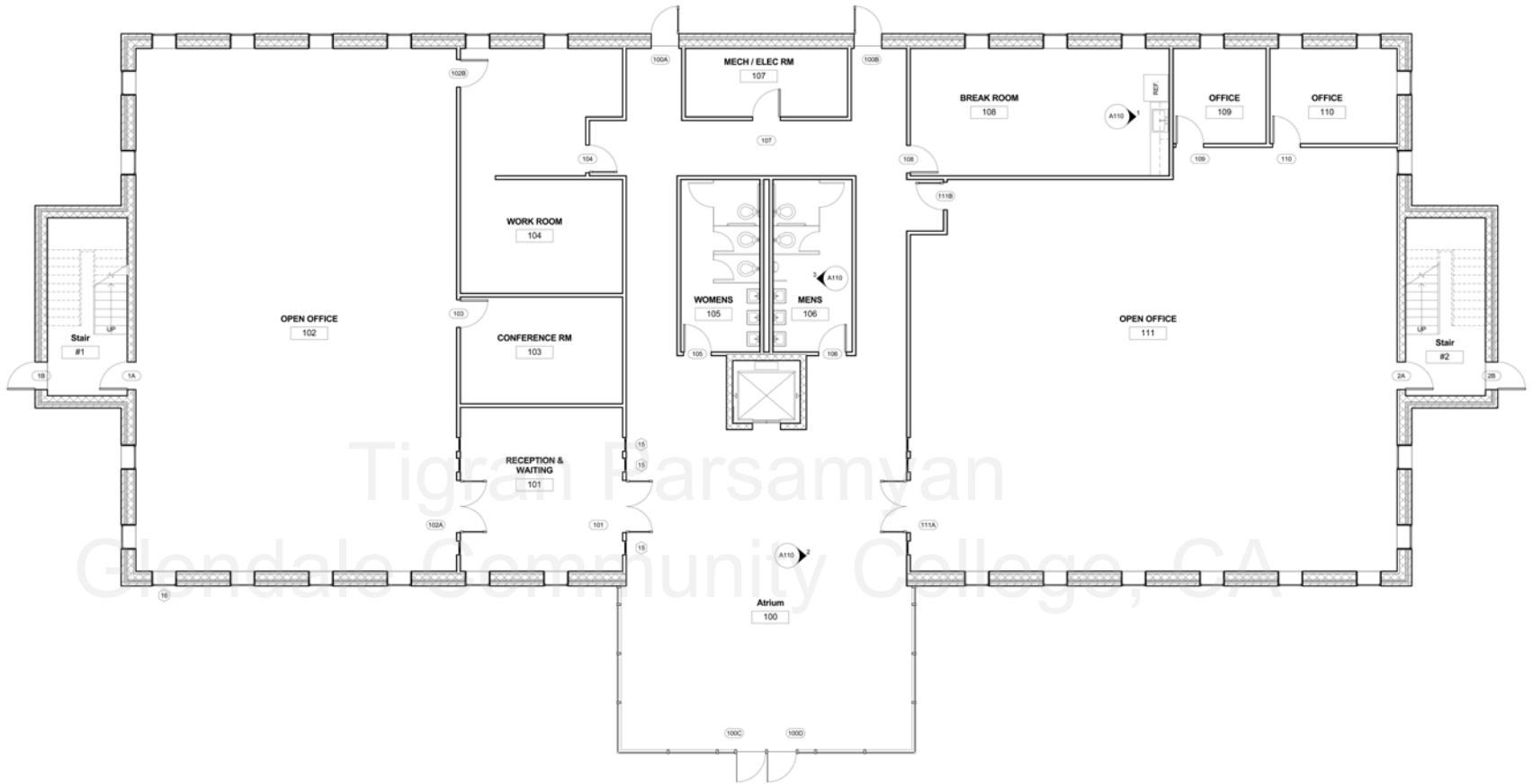


GLENDALE COMMUNITY COLLEGE
ARCHITECTURE DEPARTMENT

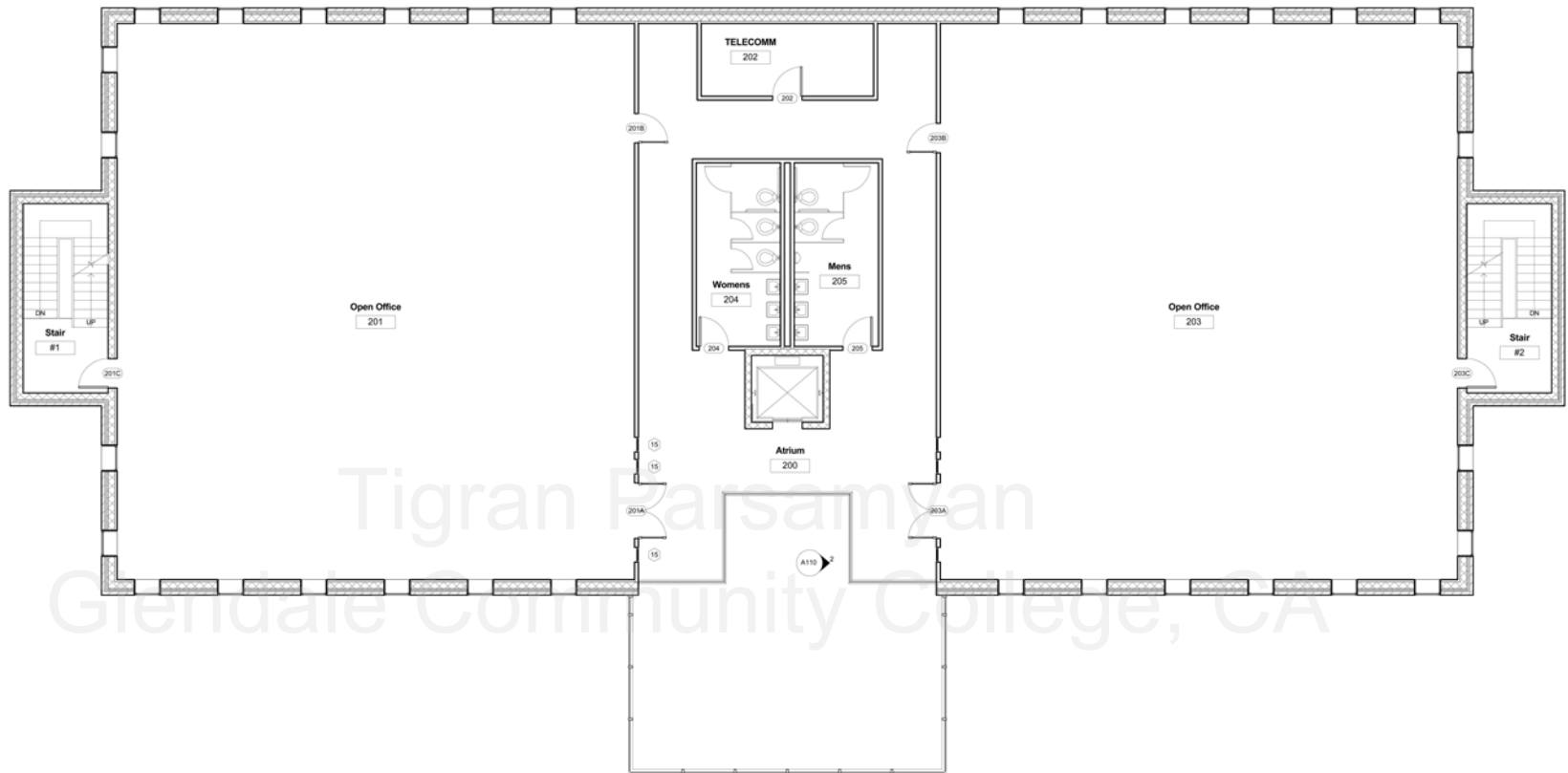
COLLEGE PORTFOLIO, 2013
TIGRAN PARSAMYAN

COMMERCIAL DESIGN

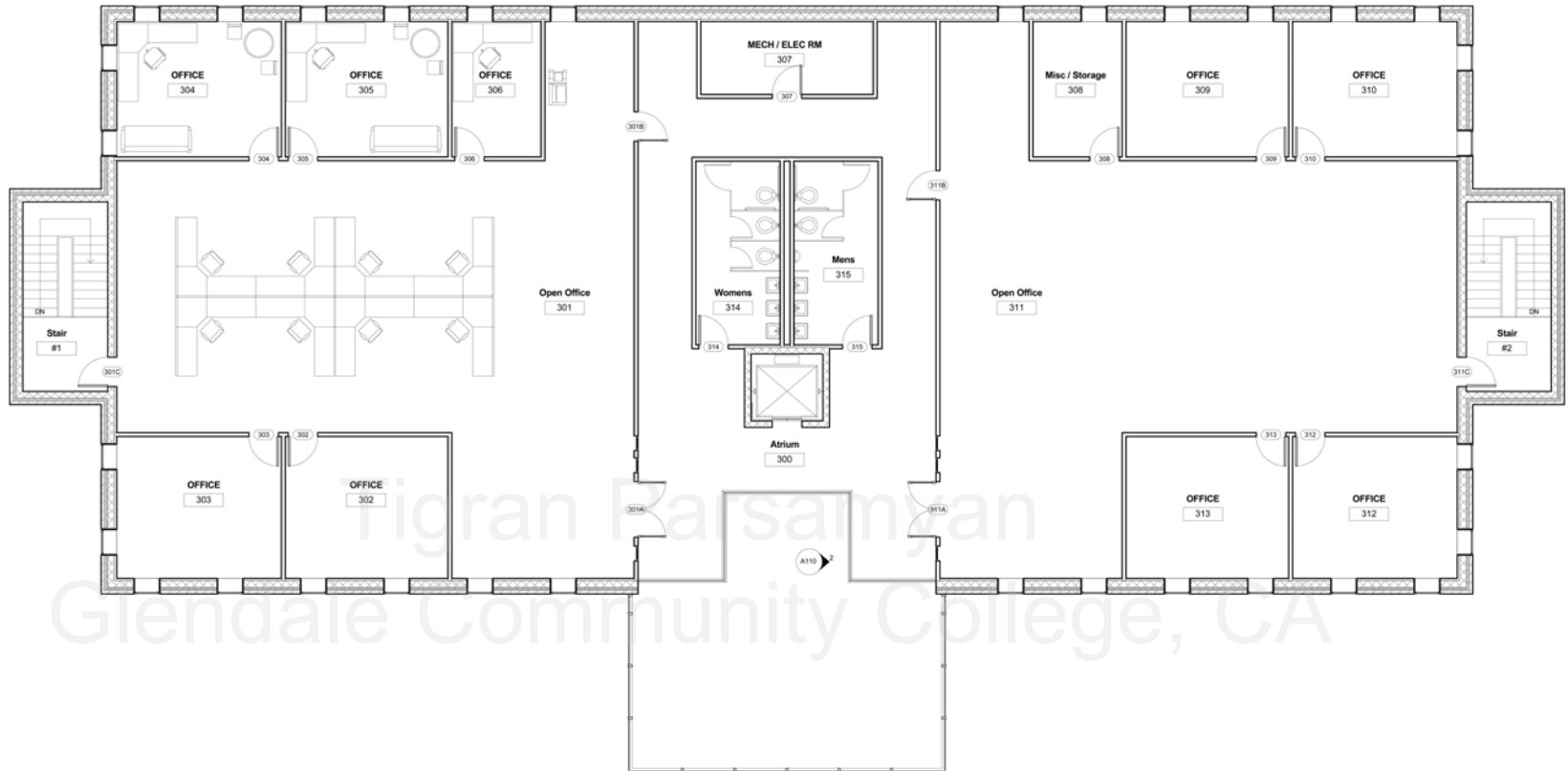
REVIT RENDERINGS



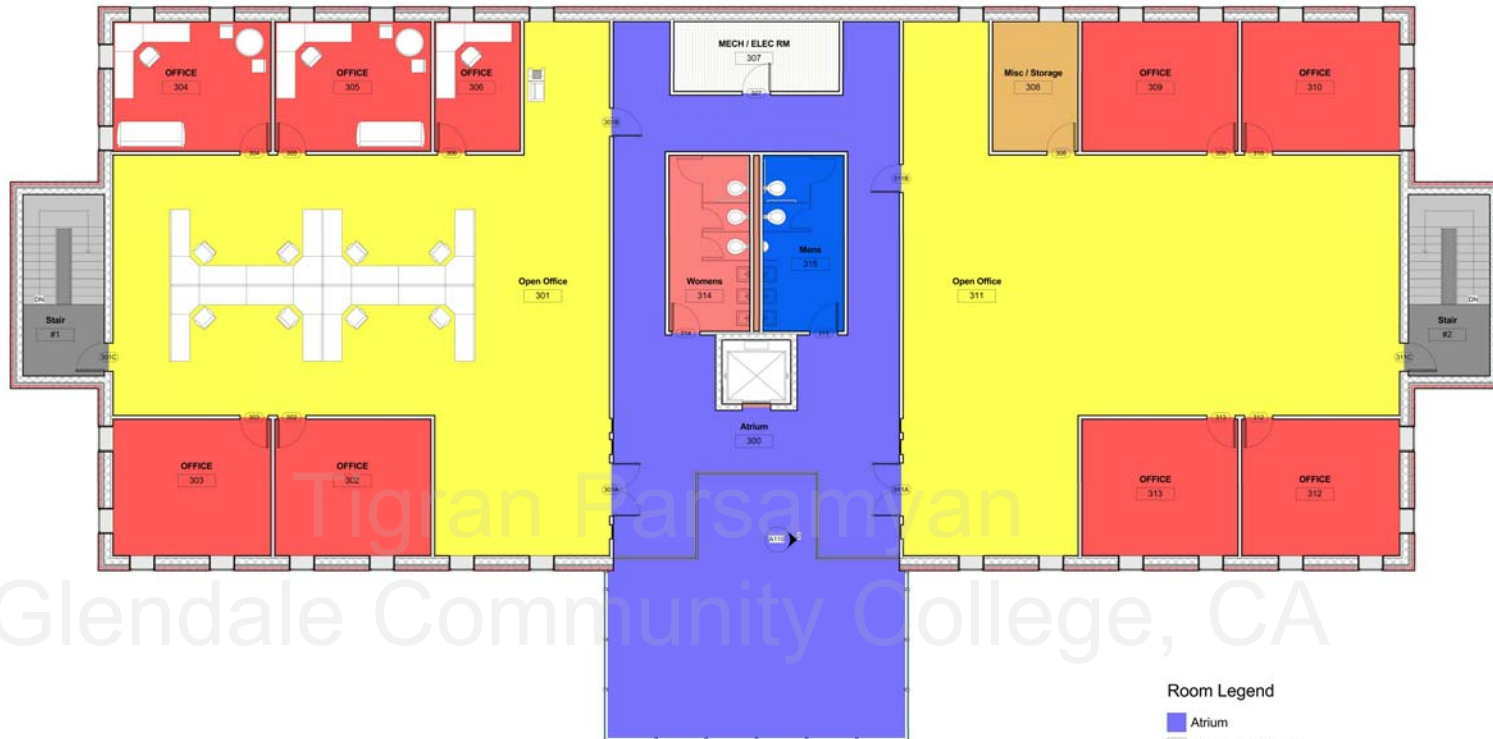
1 FLOOR PLAN - LEVEL 1
3/16" = 1'-0"



1 FLOOR PLAN--LEVEL 2
3/16" = 1'-0"



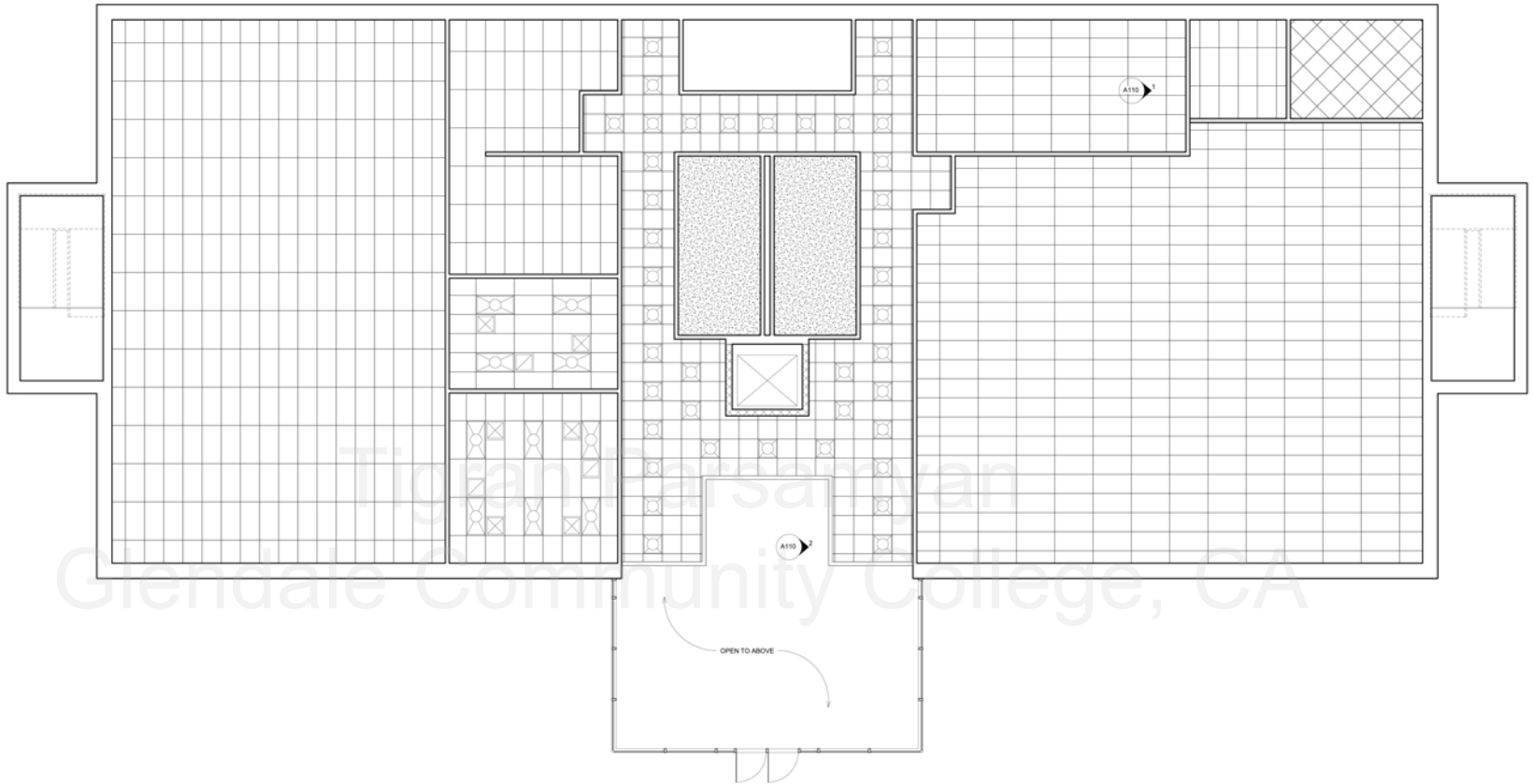
① FLOOR PLAN - LEVEL 3
3/16" = 1'-0"



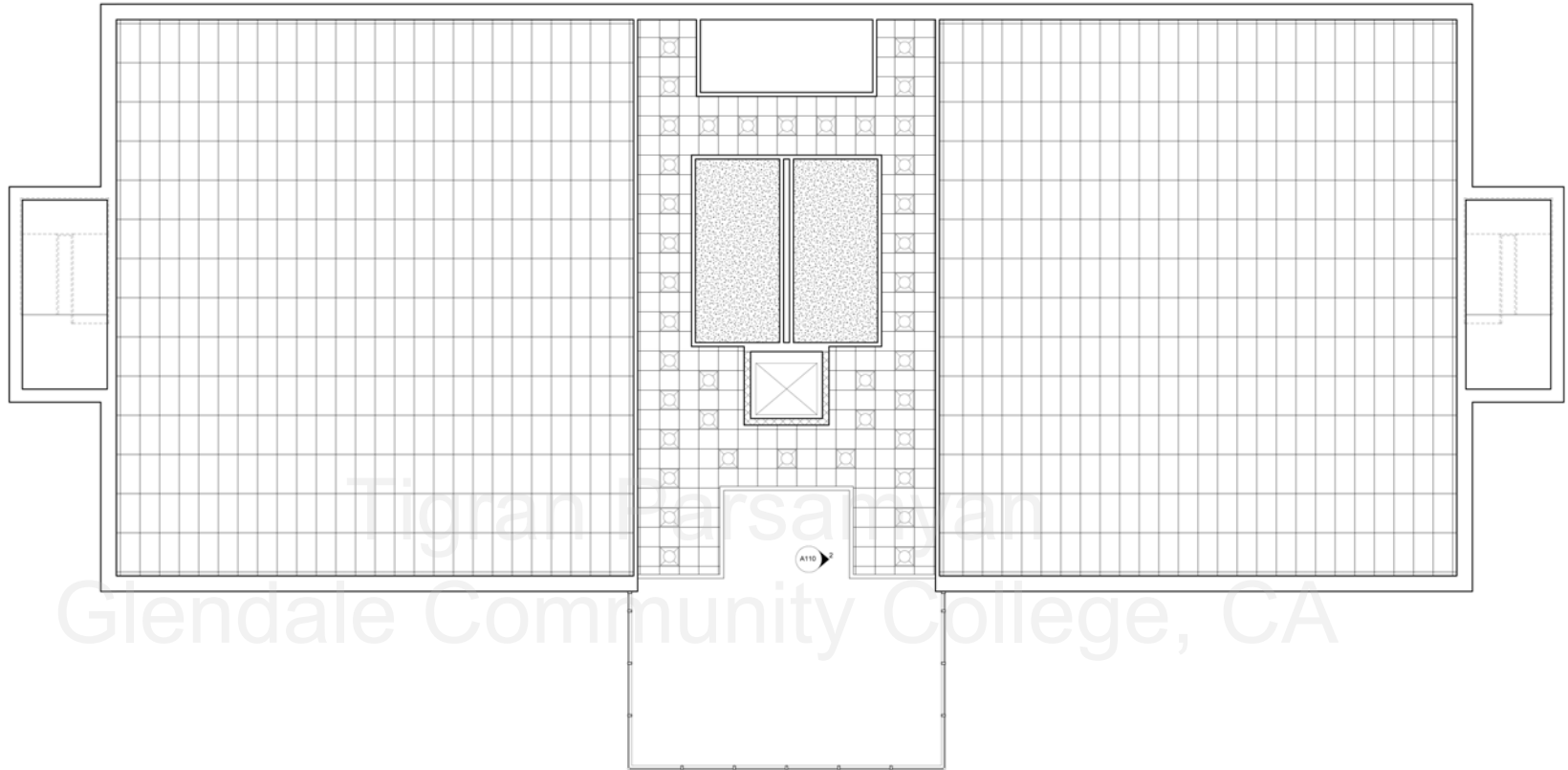
Room Legend

- Atrium
- MECH / ELEC RM
- Mens
- Misc / Storage
- OFFICE
- Open Office
- Stair
- Womens

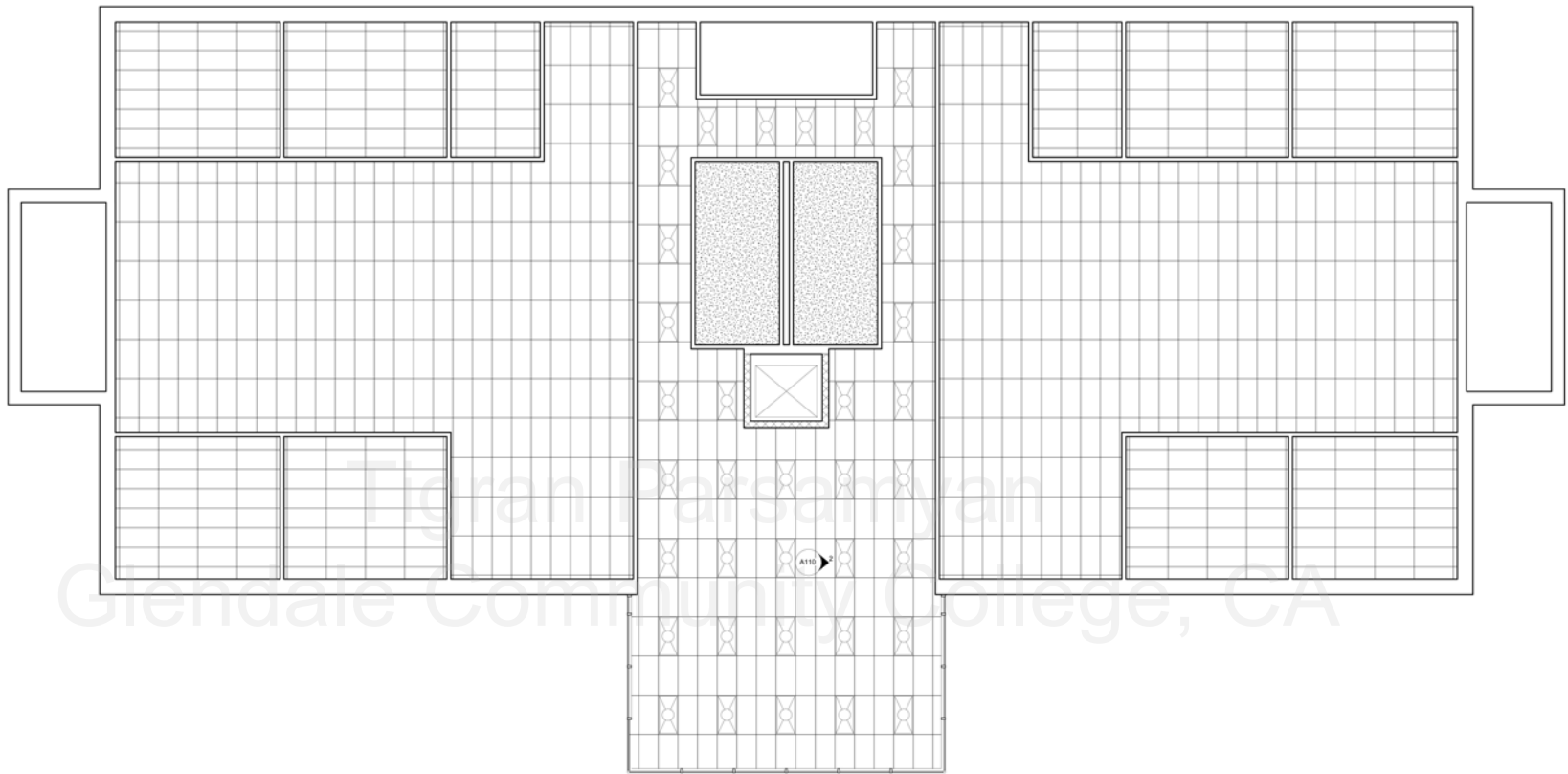
1 FLOOR PLAN - Color Coded - LEVEL 3
3/16" = 1'-0"



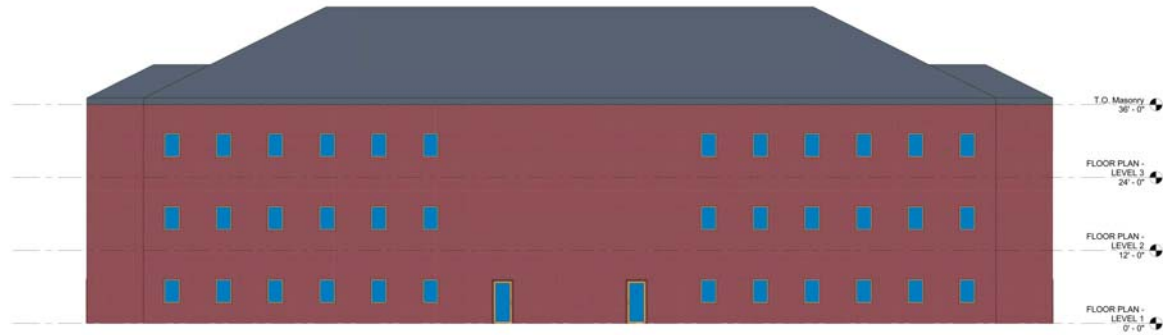
1 FLOOR PLAN - LEVEL 1
3/16" = 1'-0"



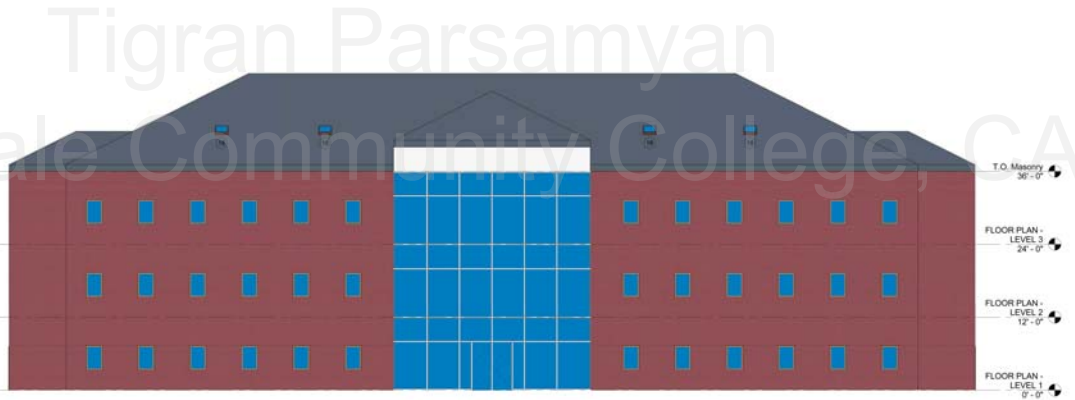
1 FLOOR PLAN - LEVEL 2
3/16" = 1'-0"



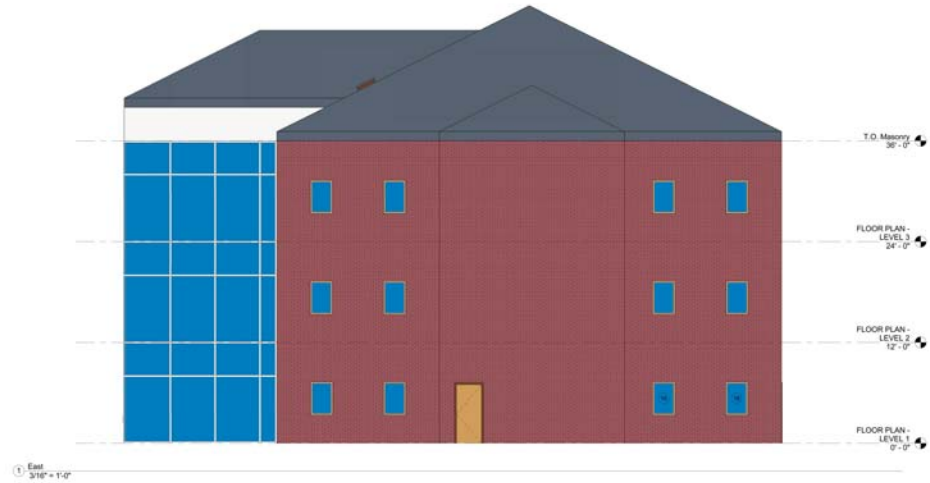
1 FLOOR PLAN - LEVEL 3
3/16" = 1'-0"



1 North
1/8" = 1'-0"



2 South
1/8" = 1'-0"

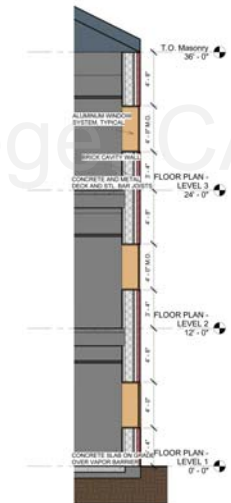




1 Longitudinal Section
1/8" = 1'-0"

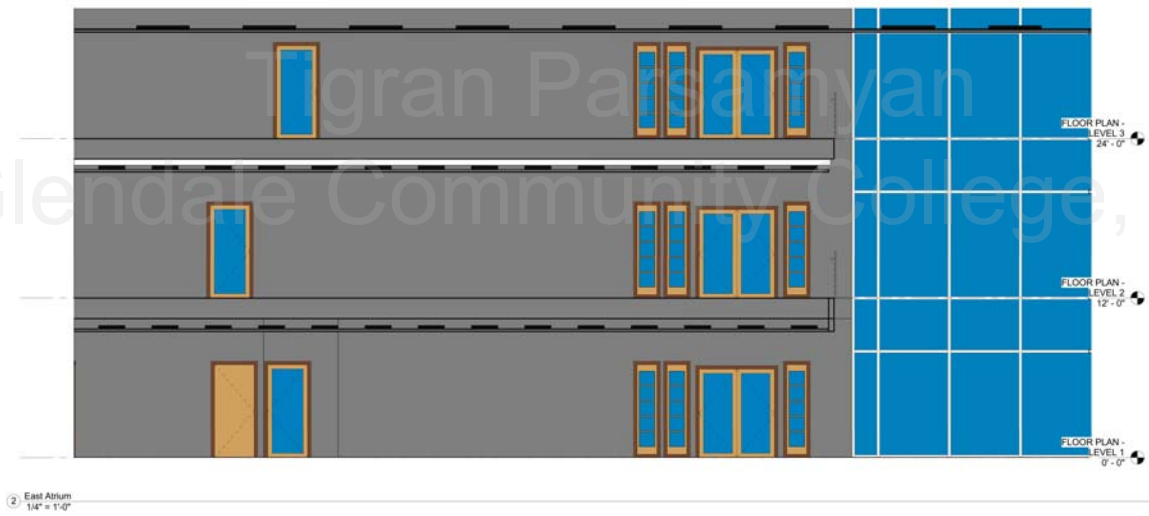
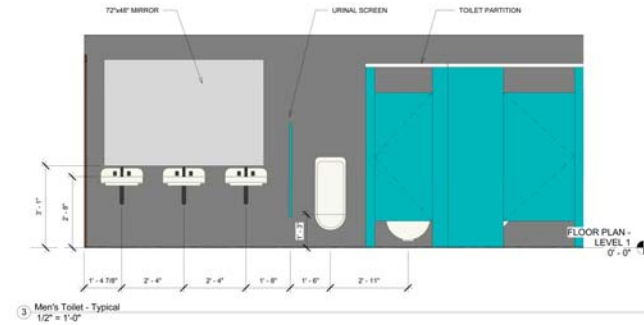
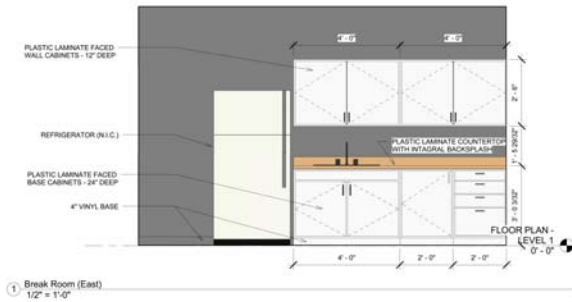


2 Transverse Section
1/8" = 1'-0"



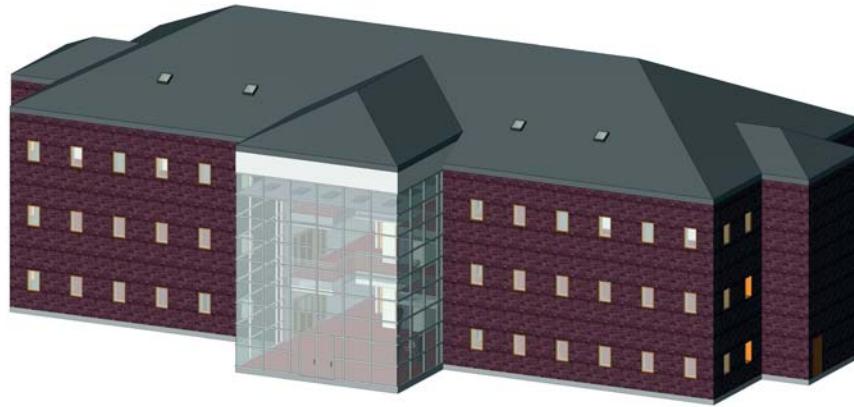
3 Callout of Cross Section 1
1/4" = 1'-0"

Tigran Parsamyan
Glendale Community College CA



Room Schedule						
Number	Name	Base Finish	Floor Finish	Wall Finish	Ceiling Finish	Area
#1	Stair					168 SF
#2	Stair					168 SF
100	Atrium					1805 SF
101	RECEPTION & WAITING					313 SF
102	OPEN OFFICE					1977 SF
103	CONFERENCE RM					204 SF
104	WORK ROOM					437 SF
105	WOMENS	COVED CT	CT	CT	Gyp. Bd.	161 SF
106	MENS	COVED CT	CT	CT	Gyp. Bd.	161 SF
107	MECH / ELEC RM					131 SF
108	BREAK ROOM					389 SF
109	OFFICE					104 SF
110	OFFICE					143 SF
111	OPEN OFFICE					2309 SF
200	Atrium					1759 SF
201	Open Office					3000 SF
202	TELECOM M					131 SF
203	Open Office					3000 SF
204	Womens	COVED CT	CT	CT	Gyp. Bd.	161 SF
205	Mens	COVED CT	CT	CT	Gyp. Bd.	161 SF
300	Atrium					1759 SF
301	Open Office					1870 SF
302	OFFICE	Wood	Carpet 1	VWC 1	ACT 1	240 SF
303	OFFICE	Wood	Carpet 1	VWC 1	ACT 1	243 SF
304	OFFICE	Wood	Carpet 1	VWC 1	ACT 1	232 SF
305	OFFICE	Wood	Carpet 1	VWC 1	ACT 1	229 SF
306	OFFICE	Wood	Carpet 1	VWC 1	ACT 1	125 SF
307	MECH / ELEC RM					131 SF
308	Misc / Storage					125 SF
309	OFFICE	Wood	Carpet 1	VWC 1	ACT 1	229 SF
310	OFFICE	Wood	Carpet 1	VWC 1	ACT 1	232 SF
311	Open Office					1870 SF
312	OFFICE	Wood	Carpet 1	VWC 1	ACT 1	243 SF
313	OFFICE	Wood	Carpet 1	VWC 1	ACT 1	240 SF
314	Womens	COVED CT	CT	CT	Gyp. Bd.	161 SF
315	Mens	COVED CT	CT	CT	Gyp. Bd.	161 SF

Door Schedule					
Mark	Width	Height	Frame Material	Frame Type	Fire Rating
1A	3' - 0"	7' - 0"			
1B	3' - 0"	7' - 0"			
2A	3' - 0"	7' - 0"			
2B	3' - 0"	7' - 0"			
100A	3' - 0"	7' - 0"			
100B	3' - 0"	7' - 0"			
100C	3' - 1 1/2"	7' - 10 3/4"			
100D	3' - 1 1/2"	7' - 10 3/4"			
101	5' - 8"	6' - 8"			
102A	5' - 8"	6' - 8"			
102B	3' - 0"	7' - 0"			
103	3' - 0"	7' - 0"			
104	3' - 0"	7' - 0"			
105	3' - 0"	7' - 0"			
106	3' - 0"	7' - 0"			
107	3' - 0"	7' - 0"			
108	3' - 0"	7' - 0"			
109	3' - 0"	7' - 0"			
110	3' - 0"	7' - 0"			
111A	5' - 8"	6' - 8"			
111B	3' - 0"	7' - 0"			
201A	5' - 8"	6' - 8"			
201B	3' - 0"	7' - 0"			
201C	3' - 0"	7' - 0"			
202	3' - 0"	7' - 0"			
203A	5' - 8"	6' - 8"			
203B	3' - 0"	7' - 0"			
203C	3' - 0"	7' - 0"			
204	3' - 0"	7' - 0"			
205	3' - 0"	7' - 0"			
301A	5' - 8"	6' - 8"			
301B	3' - 0"	7' - 0"			
301C	3' - 0"	7' - 0"			
302	3' - 0"	7' - 0"			
303	3' - 0"	7' - 0"			
304	3' - 0"	7' - 0"			
305	3' - 0"	7' - 0"			
306	3' - 0"	7' - 0"			
307	3' - 0"	7' - 0"			
308	3' - 0"	7' - 0"			
309	3' - 0"	7' - 0"			
310	3' - 0"	7' - 0"			
311A	5' - 8"	6' - 8"			
311B	3' - 0"	7' - 0"			
311C	3' - 0"	7' - 0"			
312	3' - 0"	7' - 0"			
313	3' - 0"	7' - 0"			
314	3' - 0"	7' - 0"			
315	3' - 0"	7' - 0"			



2 Atrium Roof - Opt. 1



1 Atrium Roof - Opt. 2

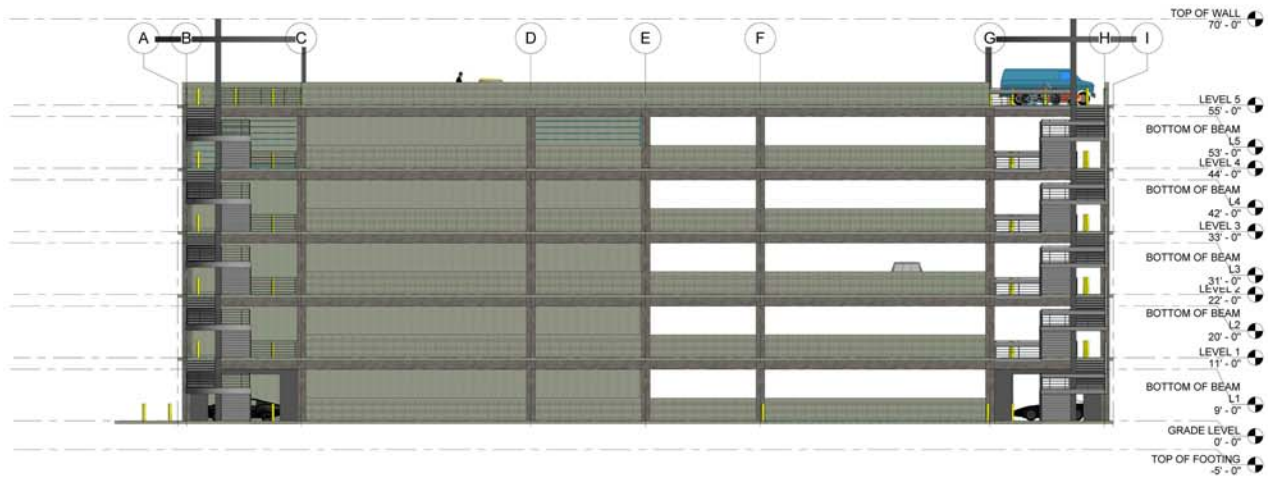


GLENDALE COMMUNITY COLLEGE
ARCHITECTURE DEPARTMENT

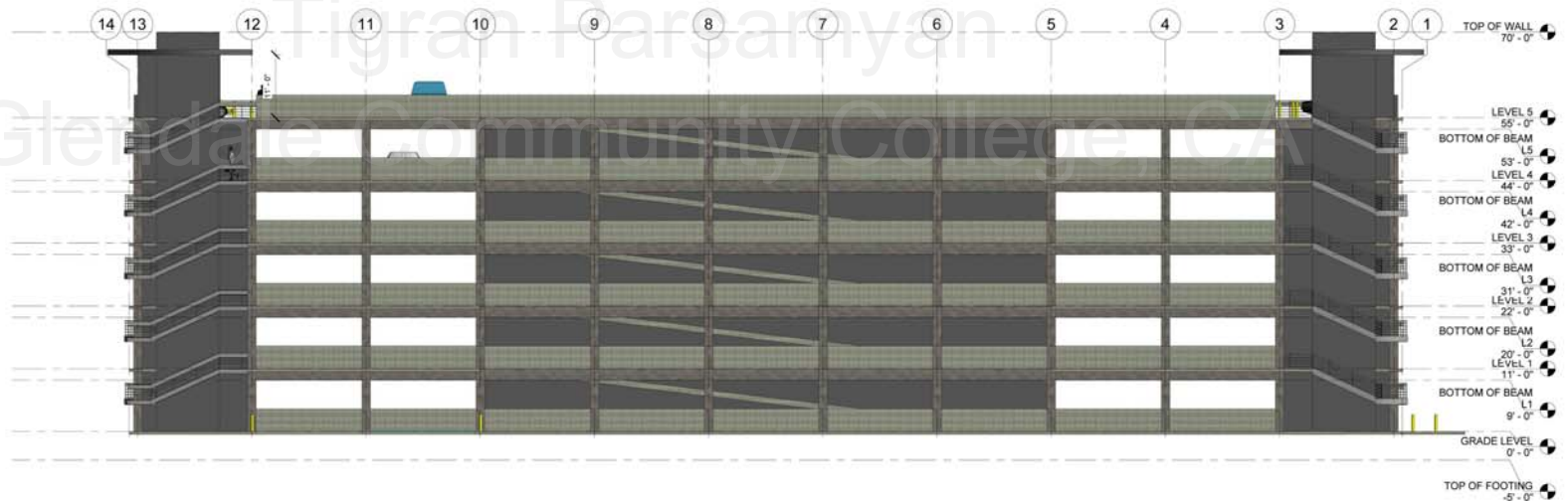
COLLEGE PORTFOLIO, 2013
TIGRAN PARSAMYAN

PARKING STRUCTURE

REVIT RENDERINGS



1 West
3/32" = 1'-0"



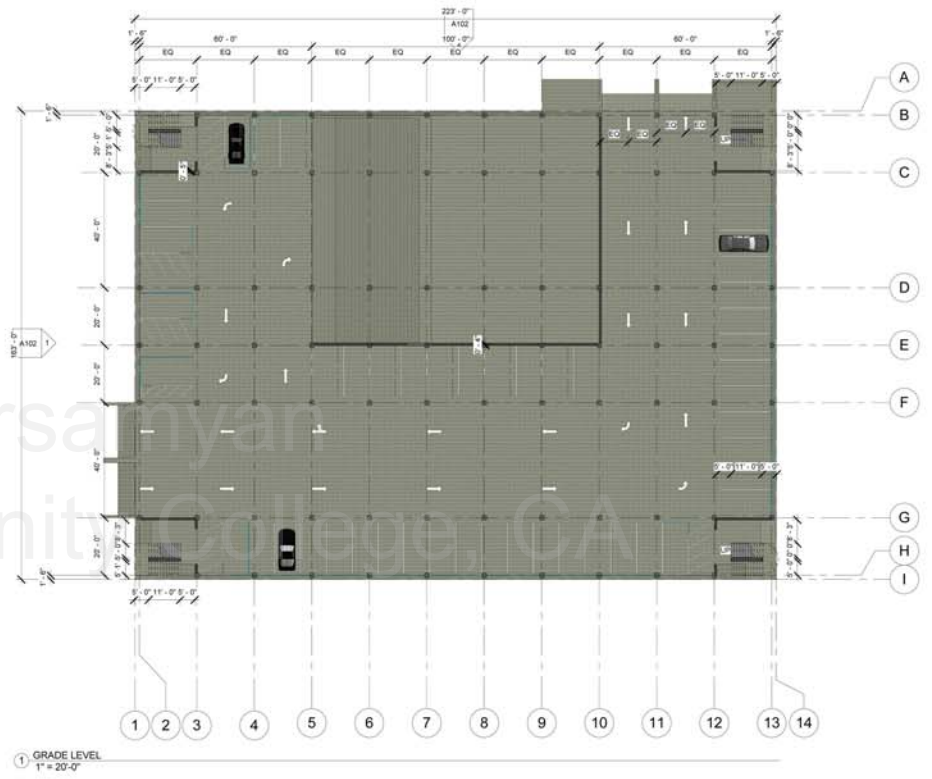
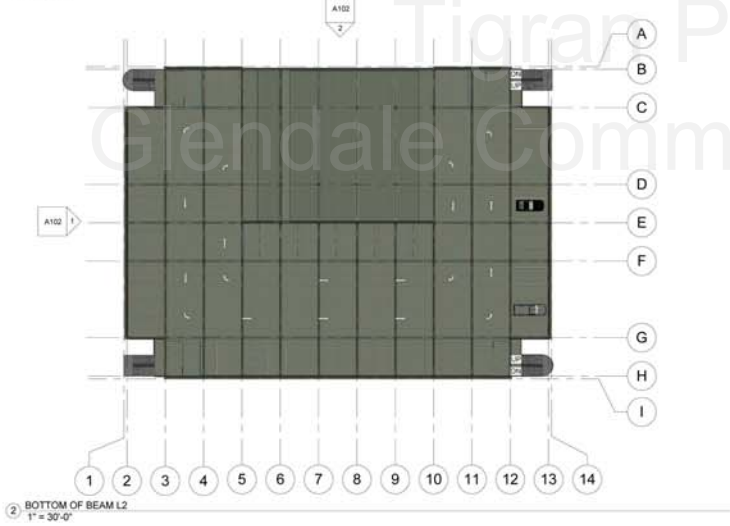
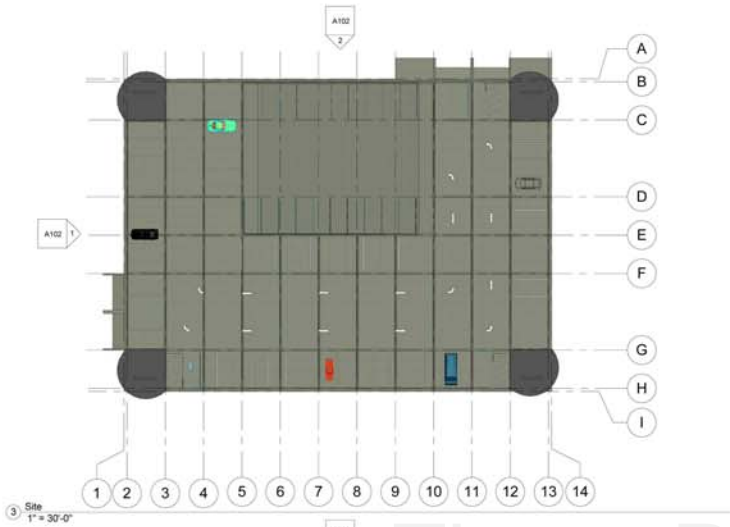
2 North
3/32" = 1'-0"

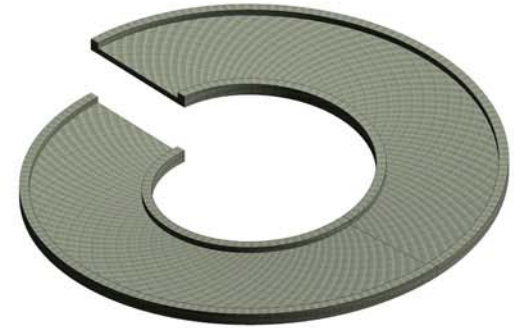
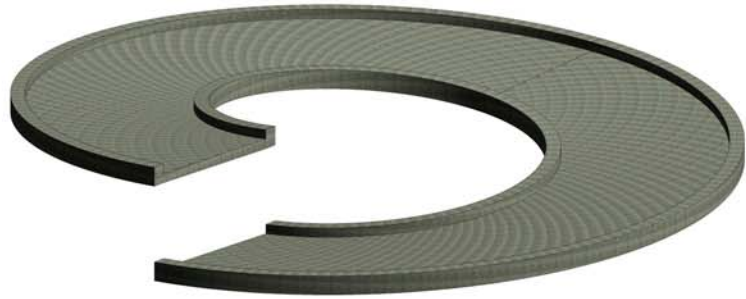
GLENDALE COMMUNITY COLLEGE
ARCHITECTURE DEPARTMENT

PARKING STRUCTURE

WEST & NORTH
ELEVATIONS
SCALE: 3/32"=1'-0"

COLLEGE PORTFOLIO, 2013
TIGRAN PARSAMYAN





Tigran Parsamyan
Glendale Community College, CA



GLENDALE COMMUNITY COLLEGE
ARCHITECTURE DEPARTMENT

COLLEGE PORTFOLIO, 2013
TIGRAN PARSAMYAN

CORNER WALL CONSTRUCTION

REVIT RENDERINGS &
3D REALISTIC VIEWS



① East
1/4" = 1'-0"



② ENTRANCE ELEVATION
1/4" = 1'-0"

GLENDALE COMMUNITY COLLEGE
ARCHITECTURE DEPARTMENT

COLLEGE PORTFOLIO, 2013
TIGRAN PARSAMYAN

CORNER WALL CONSTRUCTION

EAST ELEVATION &
ENTRANCE
ELEVATION VIEW
SCALE: 1/4" = 1'-0"



GLENDALE COMMUNITY COLLEGE
ARCHITECTURE DEPARTMENT

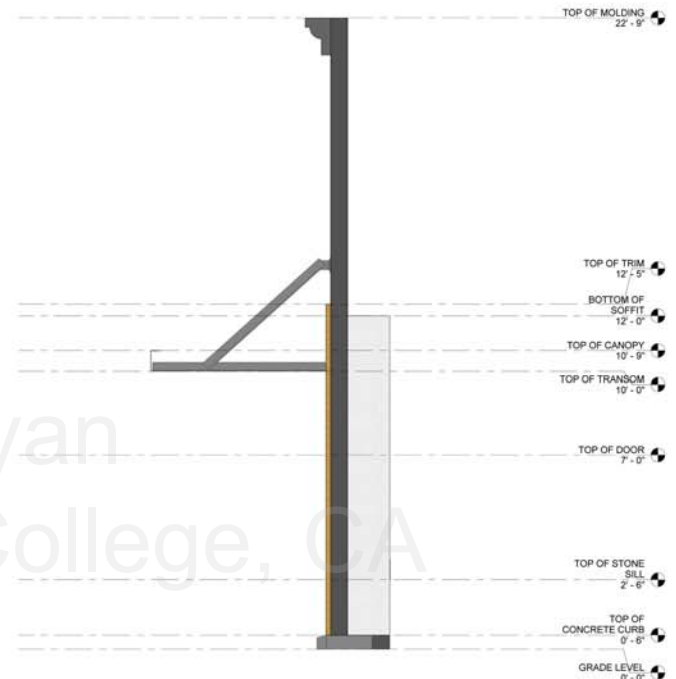
COLLEGE PORTFOLIO, 2013
TIGRAN PARSAMYAN

FAÇADE WALL CONSTRUCTION

REVIT RENDERINGS &
3D REALISTIC VIEWS



1 South
1/2" = 1'-0"



2 East
1/2" = 1'-0"

GLENDALE COMMUNITY COLLEGE
ARCHITECTURE DEPARTMENT

COLLEGE PORTFOLIO, 2013
TIGRAN PARSAMYAN

FAÇADE WALL CONSTRUCTION

SOUTH & EAST
ELEVATIONS
SCALE: 1/2" = 1' - 0"

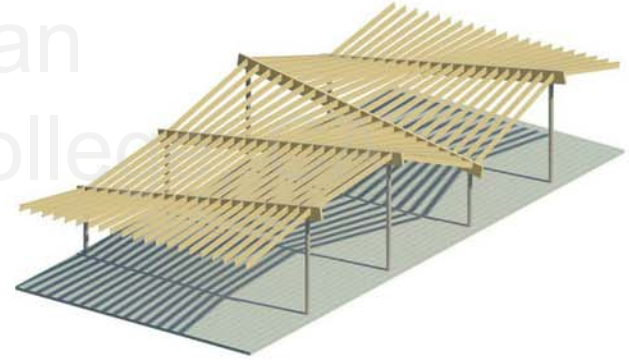


GLENDALE COMMUNITY COLLEGE
ARCHITECTURE DEPARTMENT

COLLEGE PORTFOLIO, 2013
TIGRAN PARSAMYAN

STRAIGHT ANGLE CANOPY

3D REALISTIC VIEWS



Tigran Parsamyan

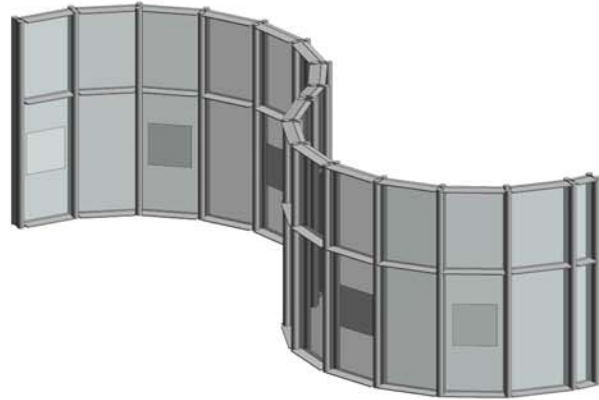
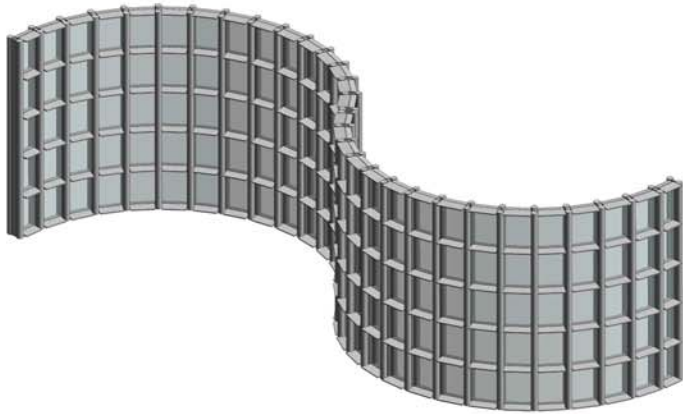
Glendale Community College

GLENDALE COMMUNITY COLLEGE
ARCHITECTURE DEPARTMENT

COLLEGE PORTFOLIO, 2013
TIGRAN PARSAMYAN

CUSTOM FRAMING
DESIGN

REVIT RENDERINGS &
3D REALISTIC VIEW

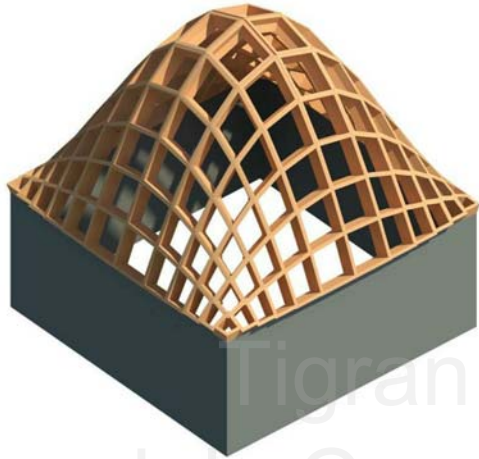


GLENDALE COMMUNITY COLLEGE
ARCHITECTURE DEPARTMENT

COLLEGE PORTFOLIO, 2013
TIGRAN PARSAMYAN

CUSTOM MULLION DESIGN

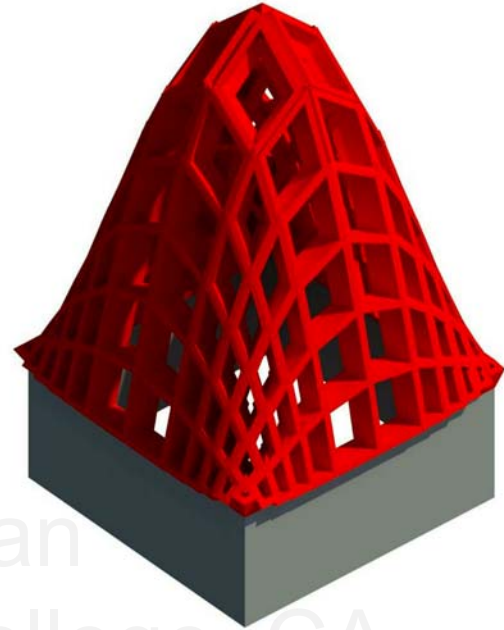
REVIT RENDERINGS &
3D REALISTIC VIEWS



2 1X5 FRAMING AT 60 FEET 2
1/8" = 1'-0"

1 X 5 RECTANGLE PANEL SCHEDULE			
Family and Type	FRAMING LENGHT	FRAMING MATERIAL	FRAMING WIDTH
RECTANGLE FRAME: 1 X 5 RECTANGLE	1' - 0"	1 X 5 RECTANGLE MATERIAL	5' - 0"
Grand total: 144			

1X5 FRAMING SHELL MESH SCHEDULE		
HEIGHT OF MESH	WIDTH OF MESH	LENGTH OF MESH
60' - 0"	90' - 0"	90' - 0"



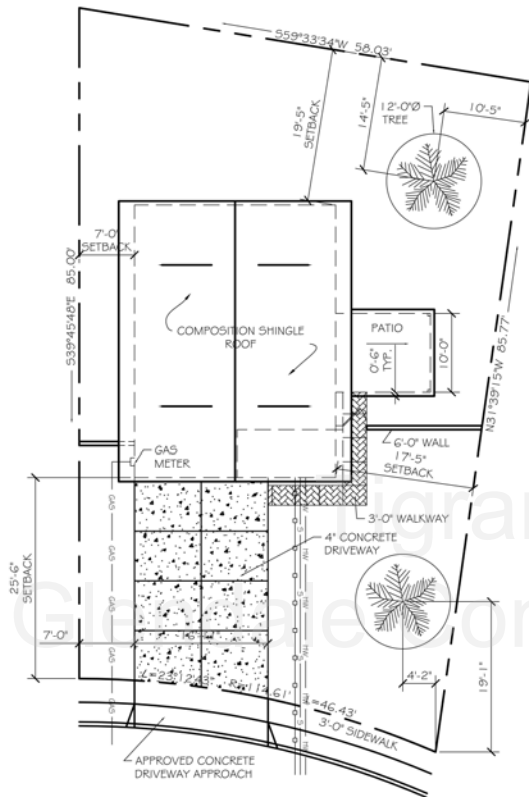
1 2X10 FRAMING AT 120 FEET 2
1/8" = 1'-0"

2 X 10 Rectangle Panel Schedule			
Family and Type	FRAMING LENGHT	FRAMING MATERIAL	FRAMING WIDTH
RECTANGLE FRAME: 2 X 10 RECTANGLE	2' - 0"	2 X 10 RECTANGLE MATERIAL	10' - 0"
Grand total: 144			

2X10 FRAMING SHELL MESH SCHEDULE		
HEIGHT OF MESH	WIDTH OF MESH	LENGTH OF MESH
120' - 0"	90' - 0"	90' - 0"

Tigran Parsamyan
Glendale Community College, CA

AUTODESK AUTOCAD



SITE PLAN

SCALE: 1/8" = 1' - 0"

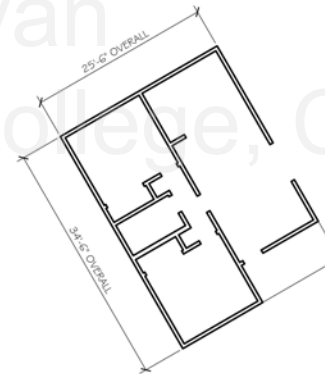
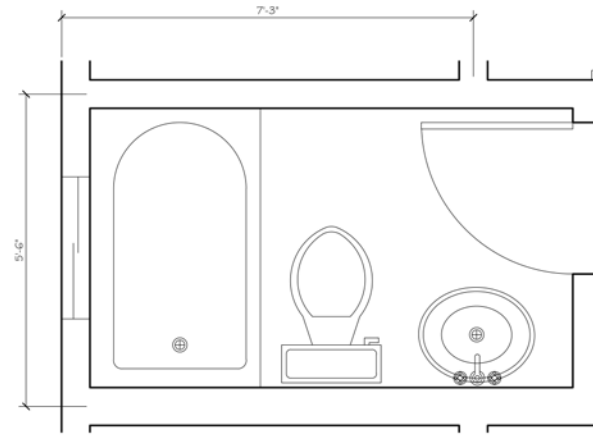
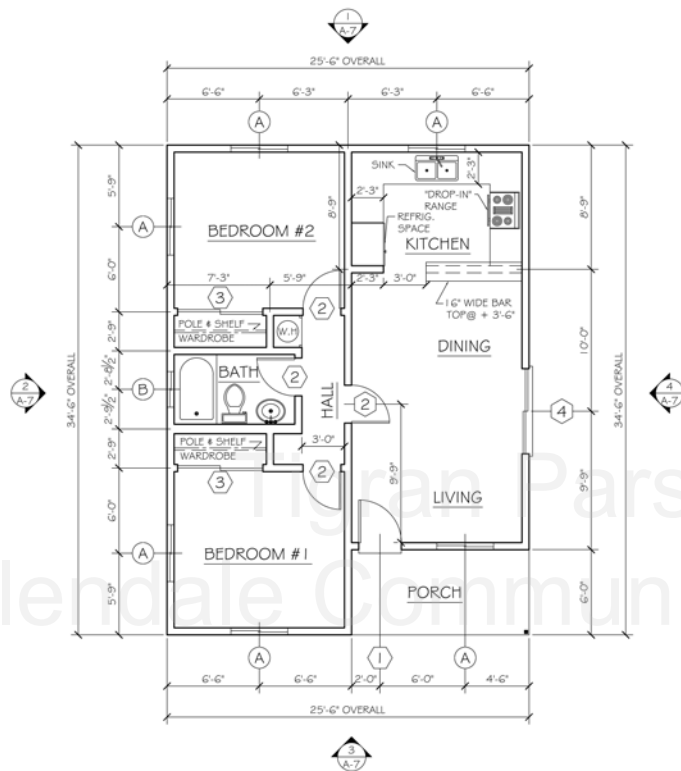


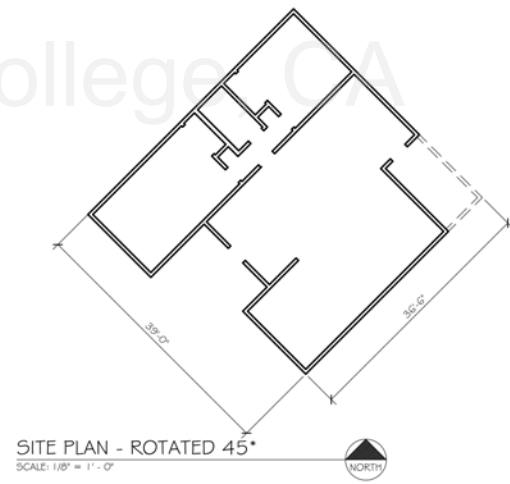
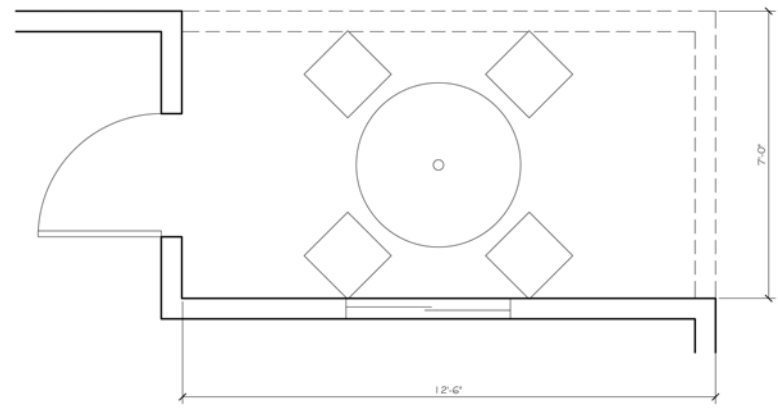
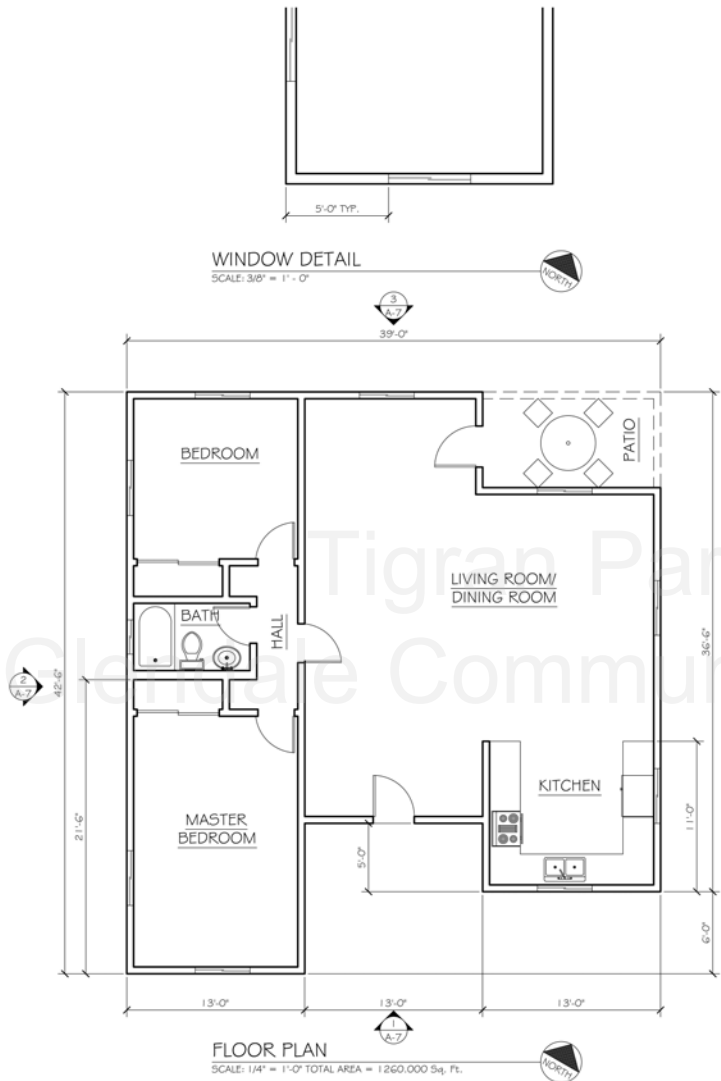
GENERAL NOTES:

1. CONTRACTOR TO CHECK AND VERIFY ALL DIMENSIONS ANY DISCREPANCIES SHALL BE REPORTED TO ARCHITECT. VERIFY ALL EXISTING FIELD CONDITIONS. ANY ADVERSE SITUATIONS SHALL BE REPORTED TO ARCHITECT.
 2. ALL FOOTINGS SHALL BE FOUNDED IN NATURAL, UNDISTURBED SOIL.
 3. ALL CONCENTRATED DRAINAGE AND ROOF WATER SHALL BE CONDUCTED TO THE STREET IN AN APPROVED DEVICE.
 4. ALL LUMBER IN CONTACT WITH CONCRETE OR MASONRY SHALL BE PRESSURE TREATED OR FOUNDATION GRADE REDWOOD.
 5. ANCHOR BOLTS - 1/2" X 10' LONG AT 6'-0" (12' MIN FROM ENDS) EMBEDDED 7" IN CONCRETE.
 6. ALL FRAMING LUMBER SHALL COMPLY WITH STANDARDS OF THE WEST COAST LUMBER INSPECTION BUREAU, ALL SHALL BE GRADE MARKED.
- A: PRESSURE TREATED D. FIR.
- LIGHT FRAMING, JOISTS: DOUGLAS FIR NO. 2.
- BEAMS & POSTS: DOUGLAS FIR NO. 1.
7. NAILING SHALL COMPLY WITH THE BUILDING CODE.
 8. ALL FRAMING MEMBERS SHALL BE ARRANGED AND SPACED TO PERMIT THE PLACEMENT OF DUCTS, PIPES, CONDUITS, ETC., WITH A MINIMUM OF CUTTING OR NOTCHING. ALL NECESSARY CUTTING OR NOTCHING SHALL BE APPROVED BY THE BUILDING INSPECTOR.
 9. PROVIDE 3/4" PLYWOOD SHEATHING AT CORNERS AND EVERY 25 LINEAL FEET OF WALL.
 10. ALL HEADERS AND BEAMS SHALL HAVE A MINIMUM BEARING SURFACE OF 1 1/2'.
 11. ALL STUD WALLS SHALL BE BLOCKED AT MID HEIGHT OF WALL. 2X SOLID BLOCKING SHALL BE PLACED BETWEEN ALL JOISTS AND RAFTERS, AND ALL SUPPORTS.
 12. PROVIDE 5 POUND FELT UNDER ALL EXTERIOR FINISHES.

SHEET INDEX:

- A: SHEET TITLE
- T-1 PICTORIAL OF STRUCTURE
 - A-1 SITE & ROOF PLAN, GENERAL NOTES
 - A-2 FLOOR PLAN, DOOR & WINDOW SCHEDULES
 - A-3 FOUNDATION PLAN
 - A-4 FOUNDATION DETAILS
 - A-5 FRAMING PLAN
 - A-6 ELECTRICAL PLAN
 - A-7 EXTERIOR ELEVATIONS



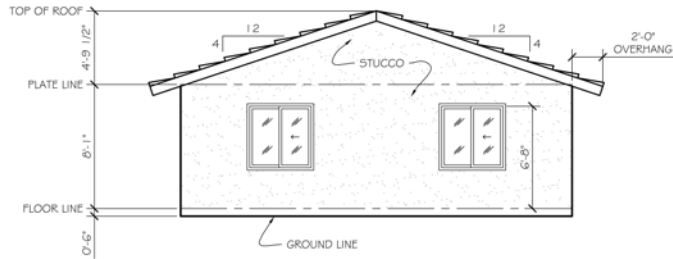


GLENDALE COMMUNITY COLLEGE
ARCHITECTURE DEPARTMENT

TWO BEDROOM CABIN

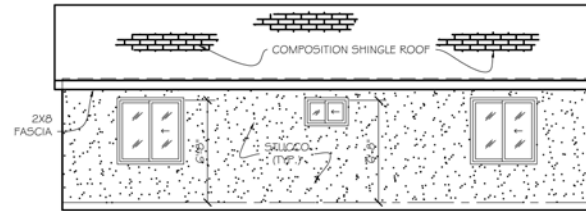
COLLEGE PORTFOLIO, 2013
TIGRAN PARSAMYAN

FLOOR PLAN,
WINDOW DETAIL,
PATIO DETAIL
SCALE: NOTED



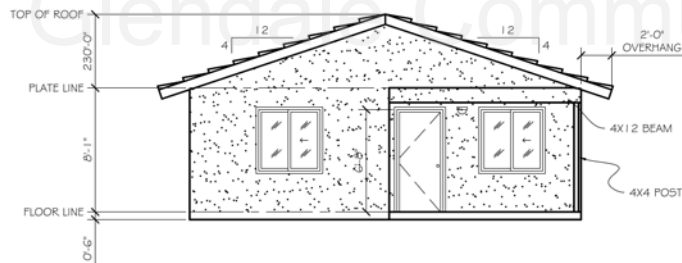
REAR / NORTH ELEVATION
SCALE: 1/4" = 1' - 0"

1
A-7



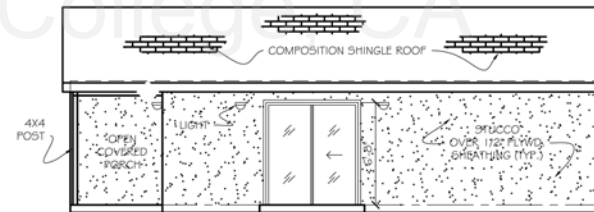
LEFT / WEST ELEVATION
SCALE: 1/4" = 1' - 0"

2
A-7



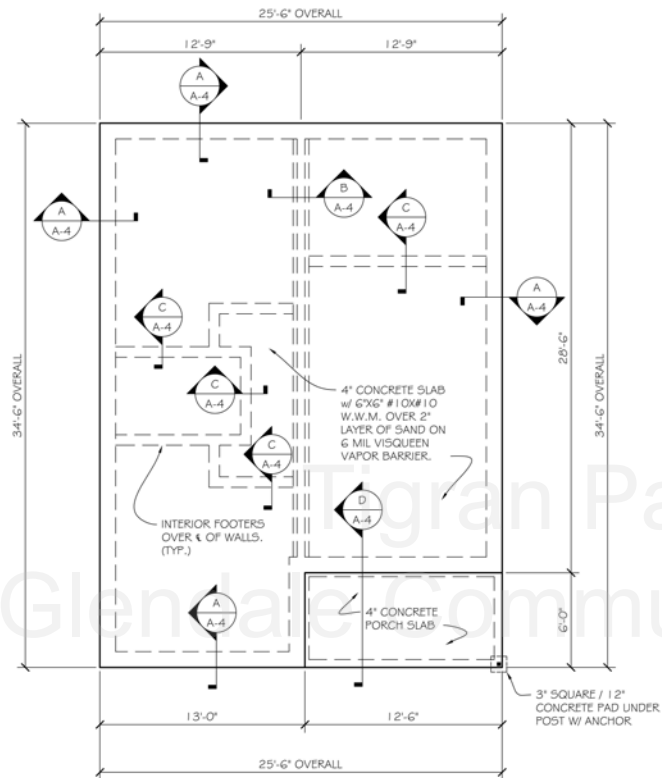
FRONT / SOUTH ELEVATION
SCALE: 1/4" = 1' - 0"

3
A-7

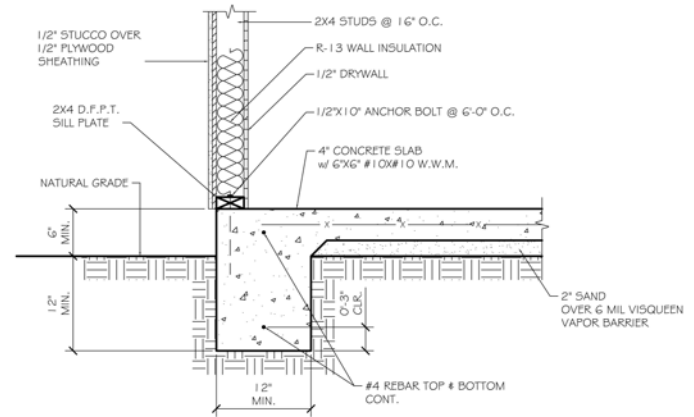


RIGHT / EAST ELEVATION
SCALE: 1/4" = 1' - 0"

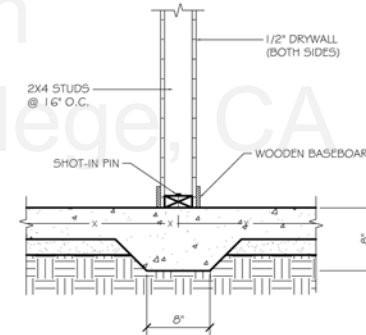
4
A-7



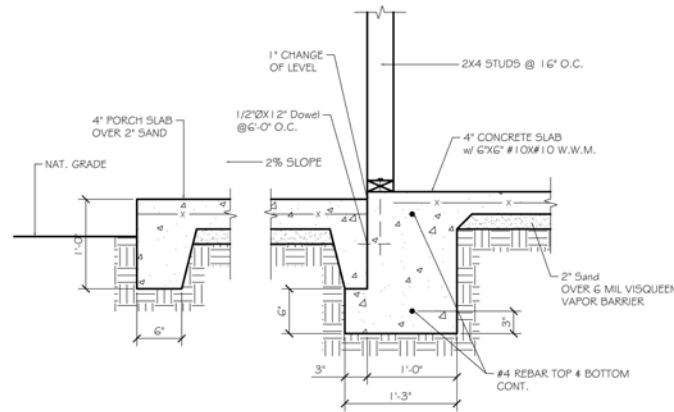
FOUNDATION PLAN
SCALE: 1/4" = 1'-0"



SECTION A
SCALE: 1'-1/2" = 1'-0"

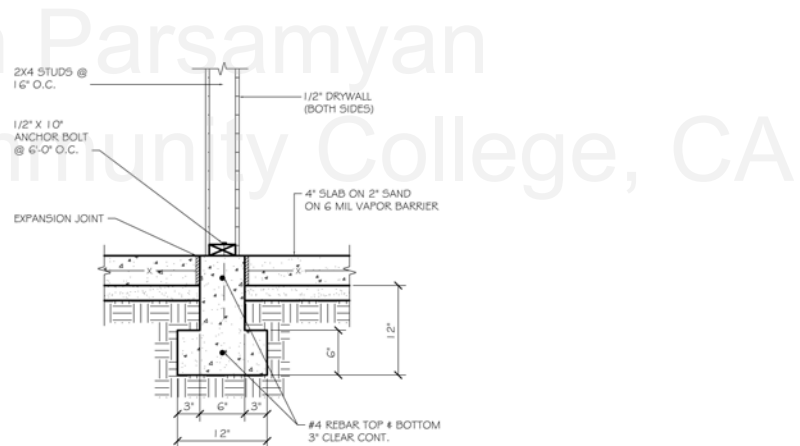


SECTION C
SCALE: 1'-1/2" = 1'-0"



SECTION D

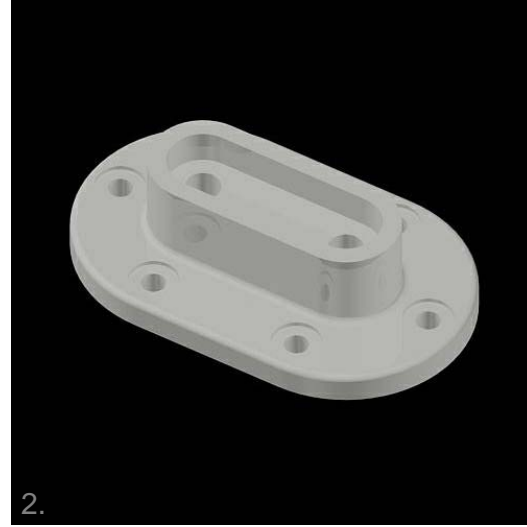
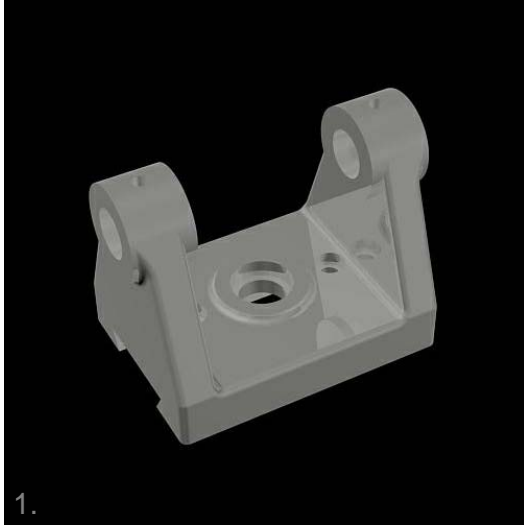
SCALE: 1'-1/2" = 1'-0"



SECTION B

SCALE: 1'-1/2" = 1'-0"



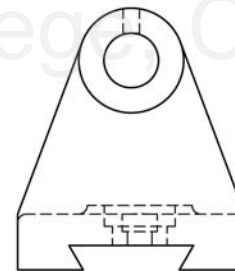
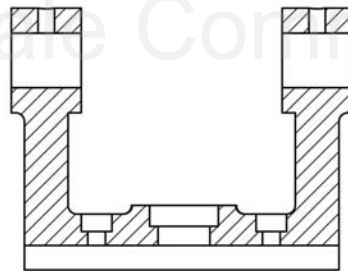
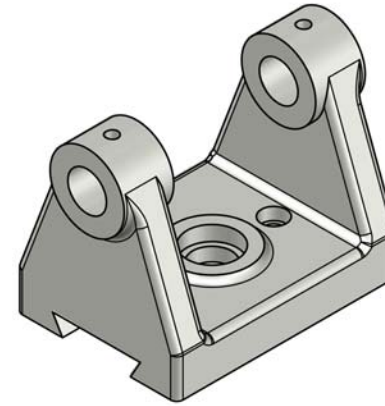
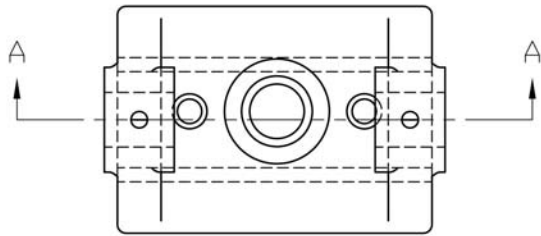


GLENDALE COMMUNITY COLLEGE
ARCHITECTURE DEPARTMENT

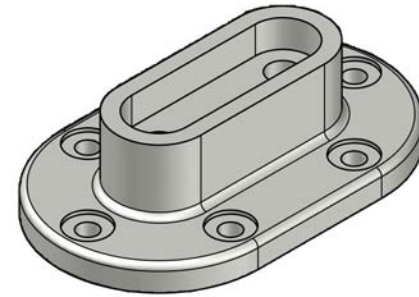
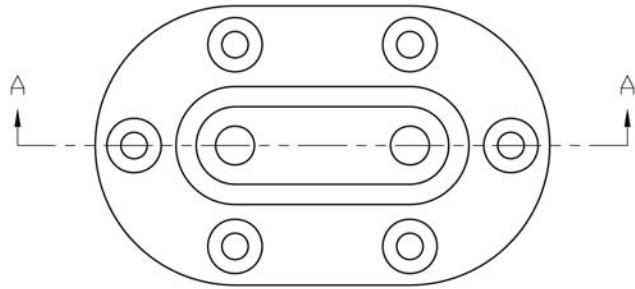
COLLEGE PORTFOLIO, 2013
TIGRAN PARSAMYAN

3 - D M O D E L I N G

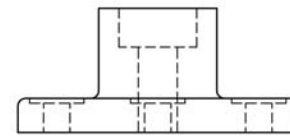
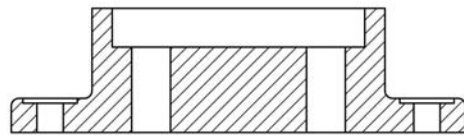
1.DOVETAIL HINGE,
2.SHAFT BASE,
3.BASE, 4.TWO POST
COLUMN BASE



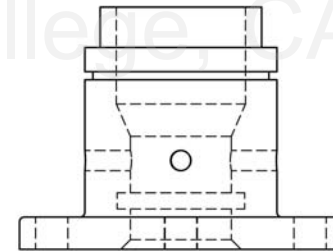
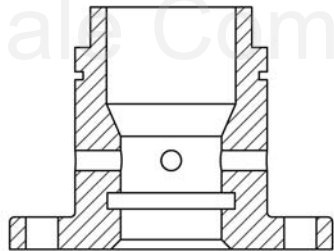
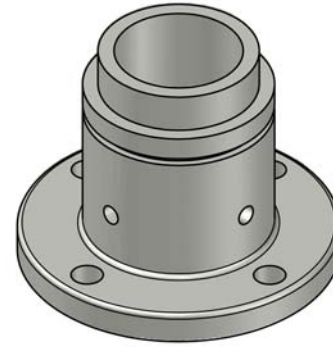
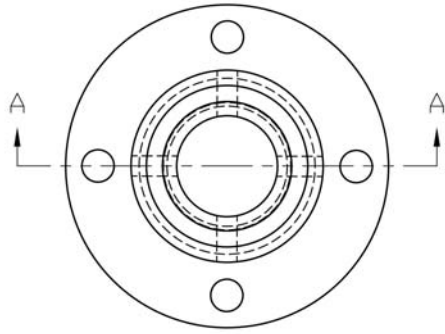
SECTION A-A
SCALE 1:1



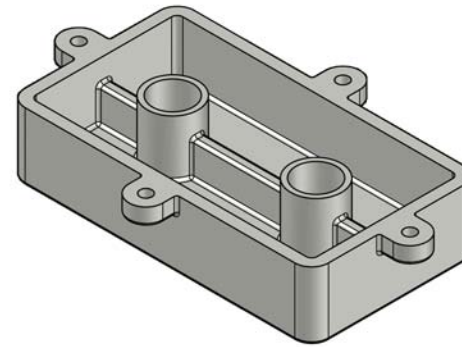
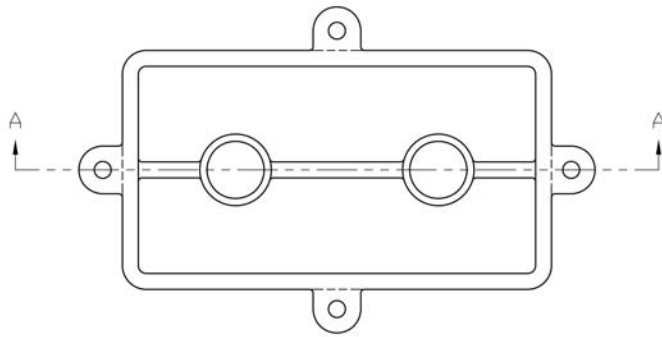
Tigran Parsamyan
Glendale Community College, CA



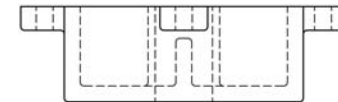
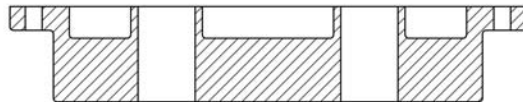
SECTION A-A
SCALE 1:1



SECTION A-A
SCALE 1:1



Tigran Parsamyan
Glendale Community College, CA

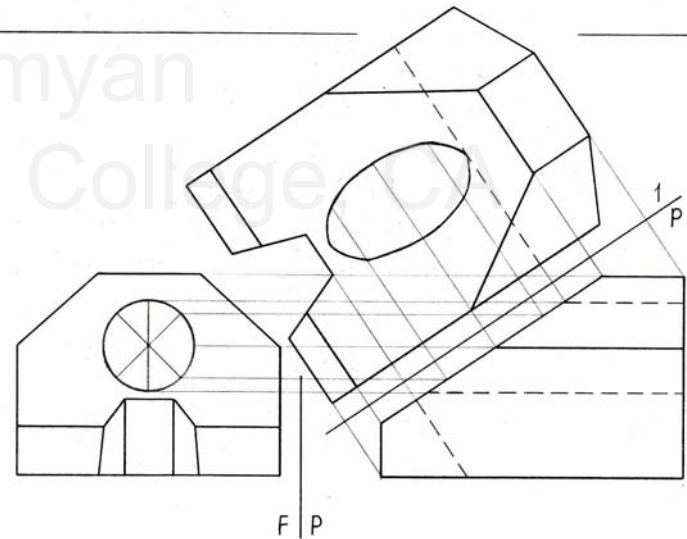
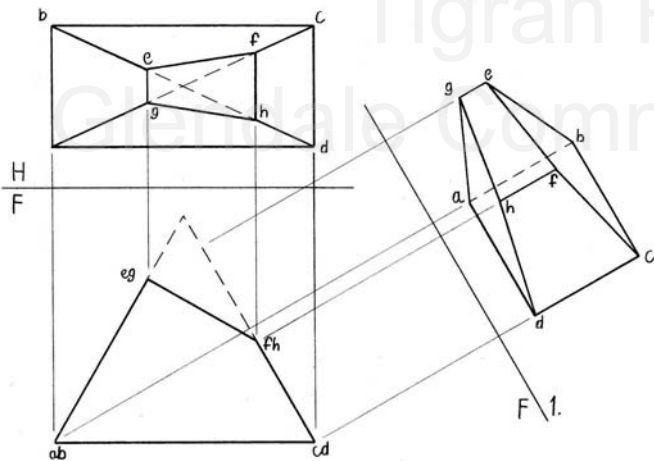
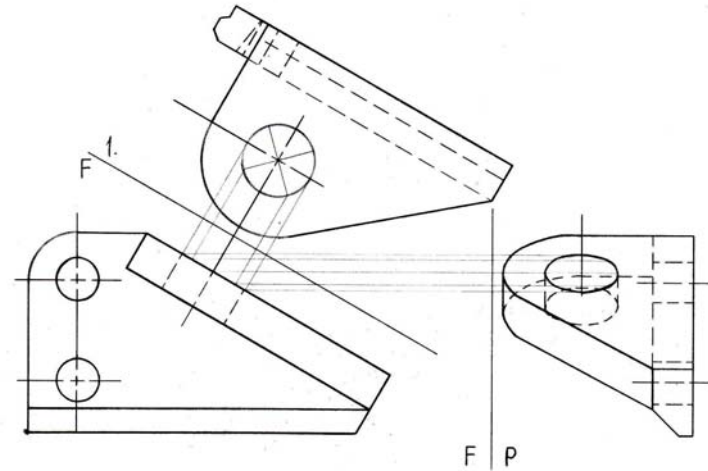
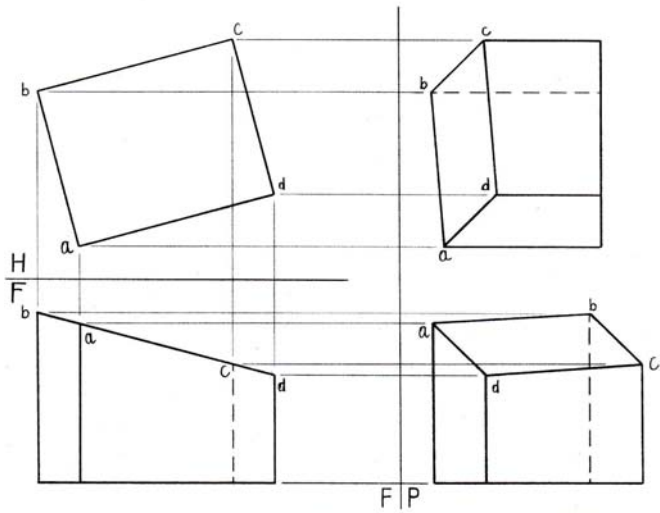


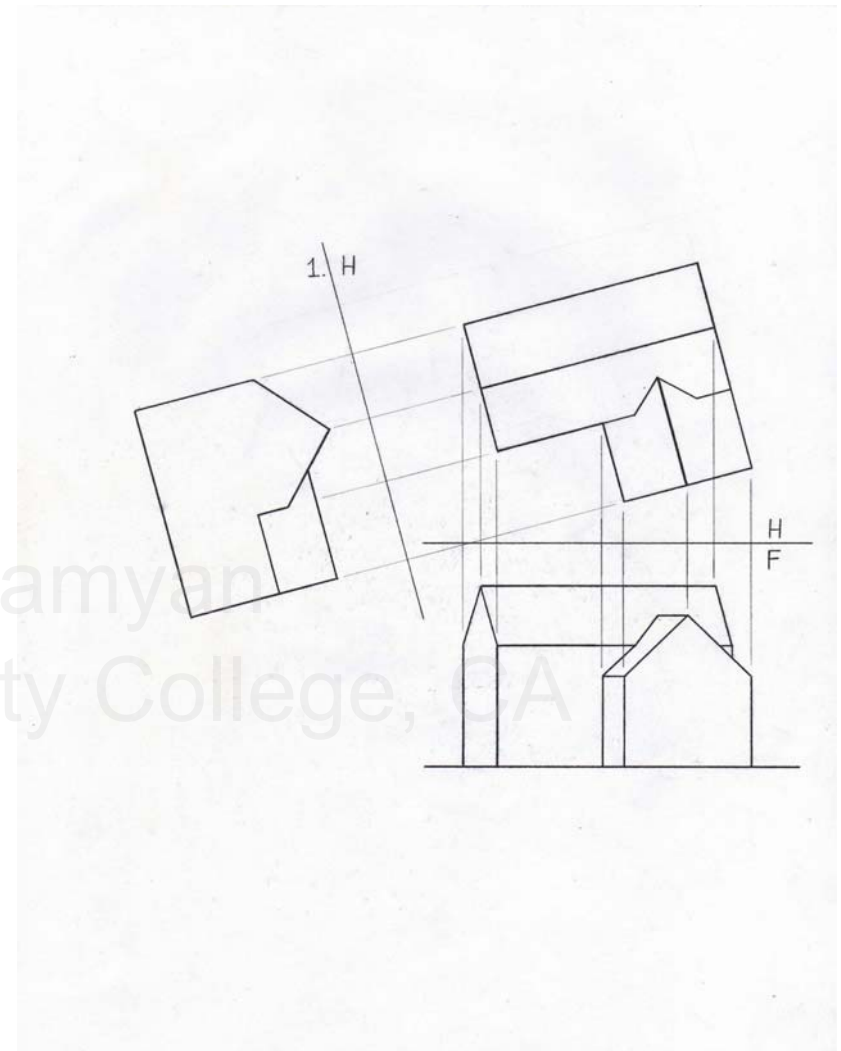
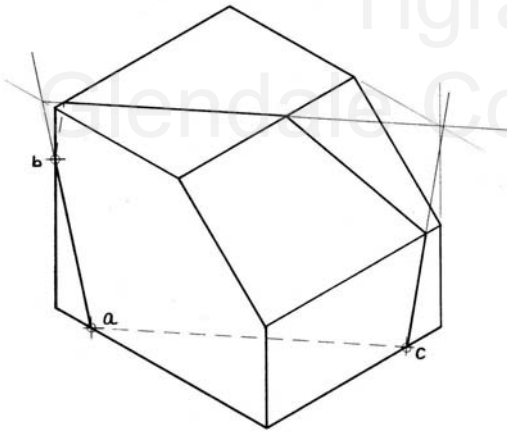
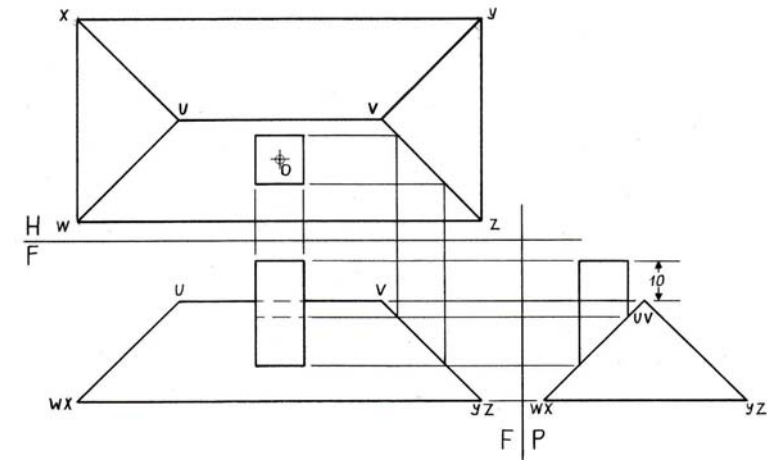
SECTION A-A
SCALE 6" = 1'-0"

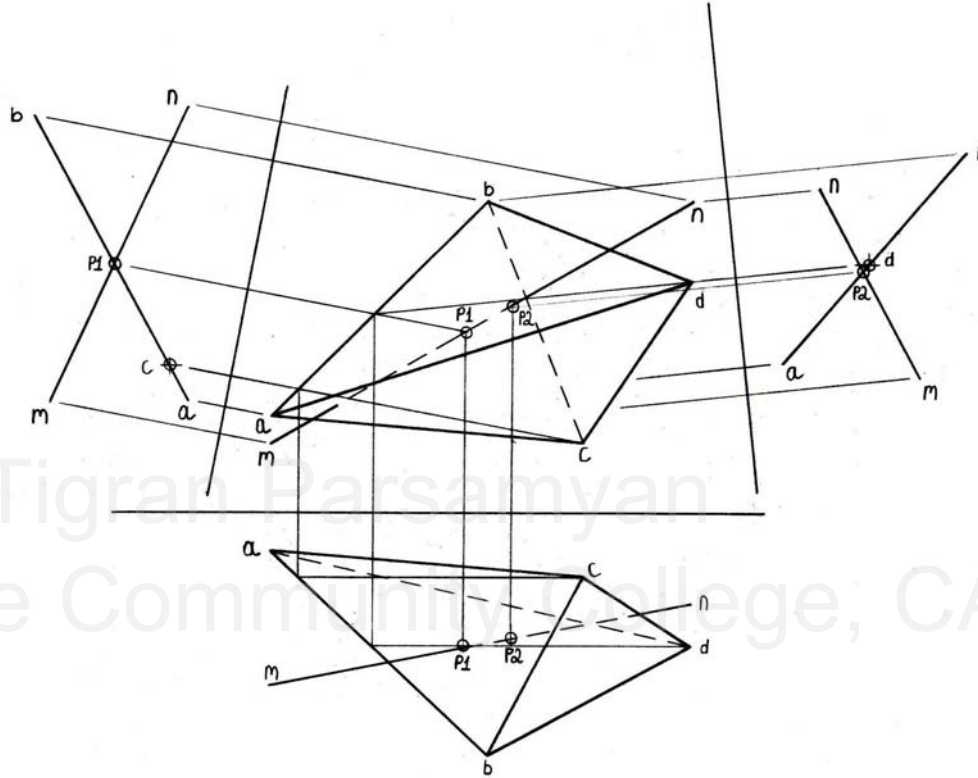
Tigran Parsamyan

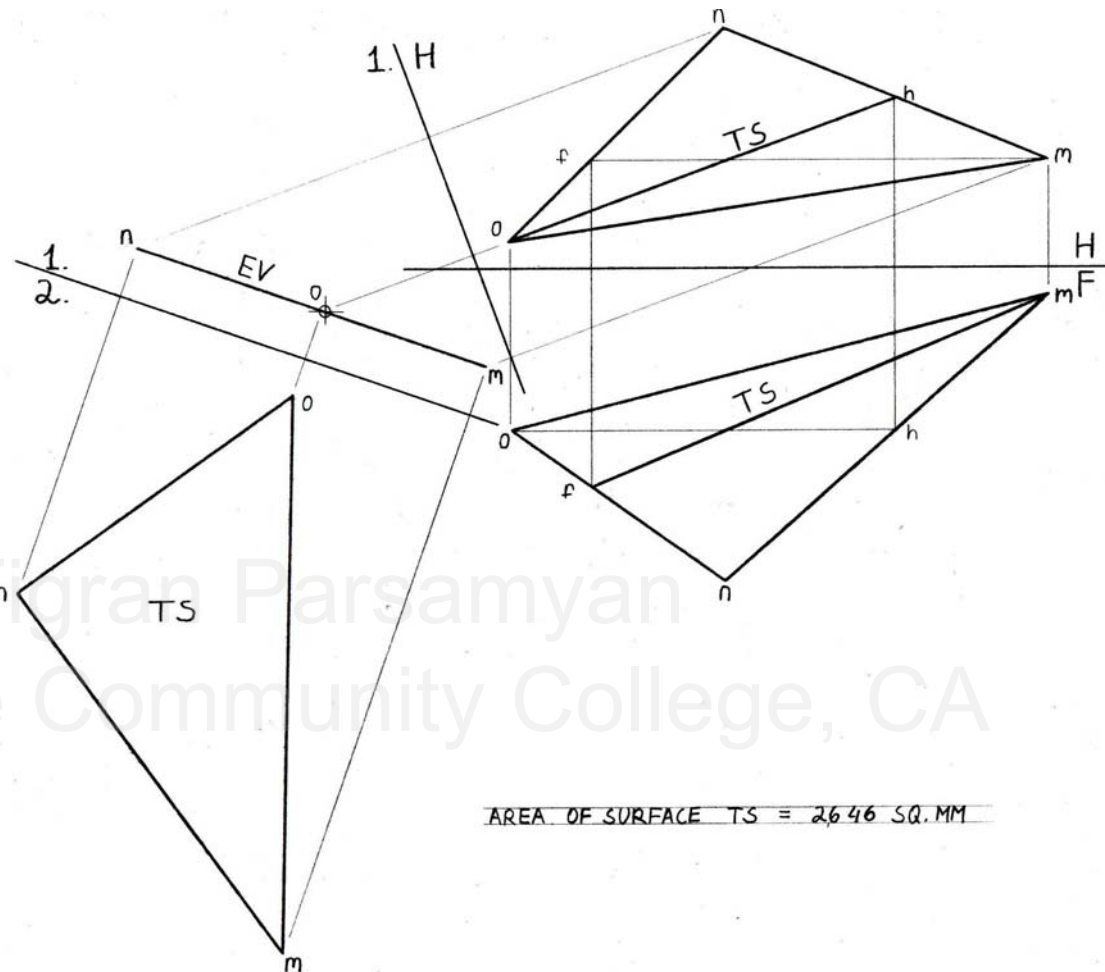
ARCHITECTURAL DRAFTING

Glendale Community College, CA

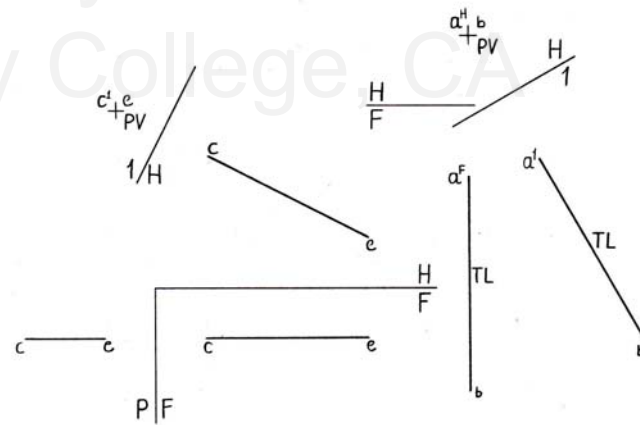
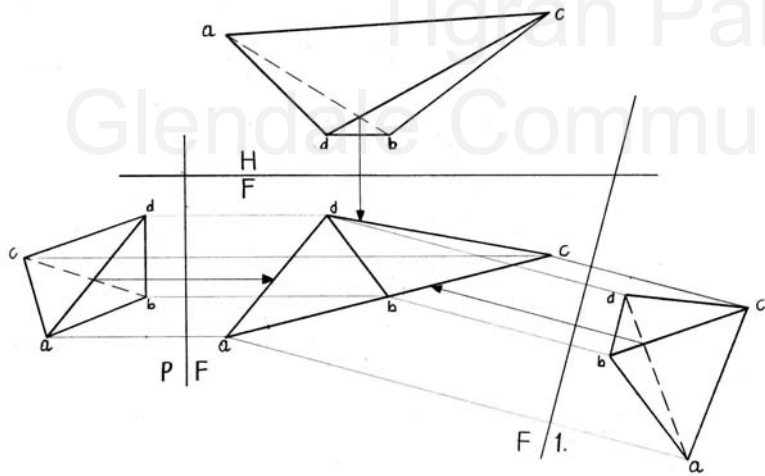
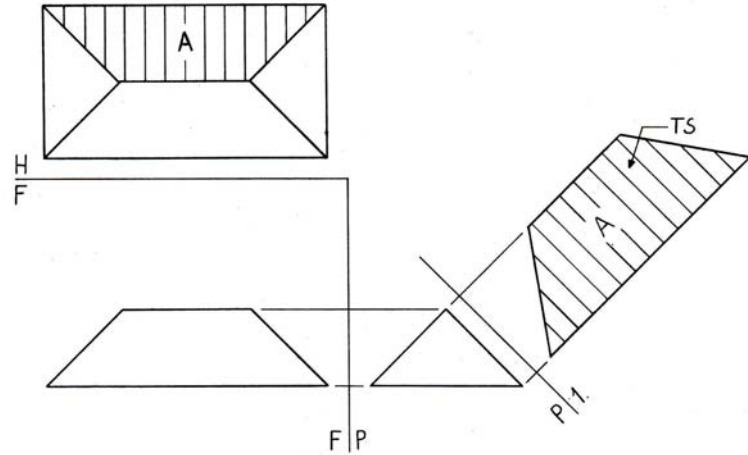
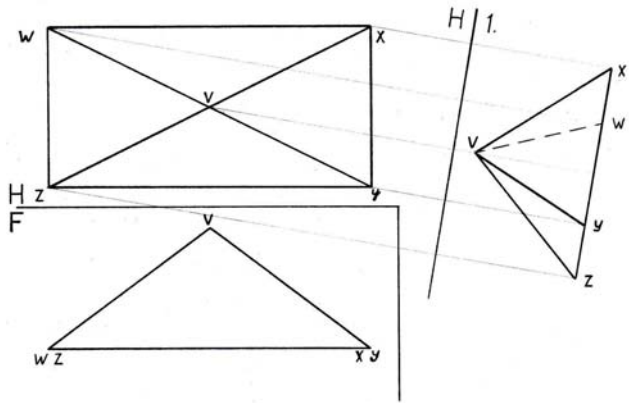


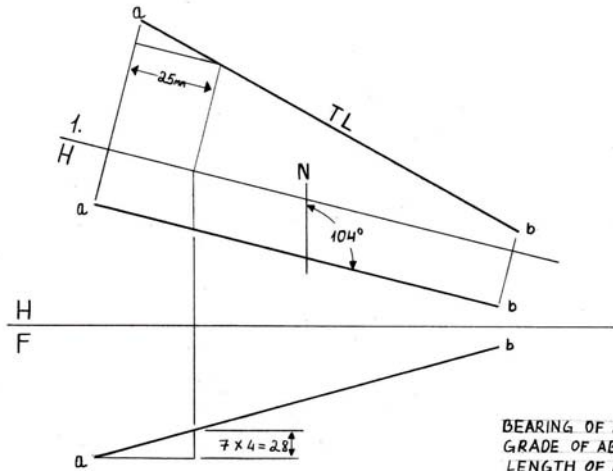




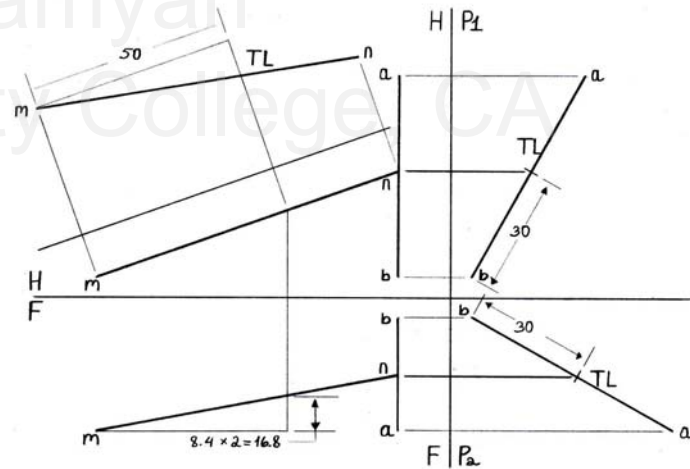
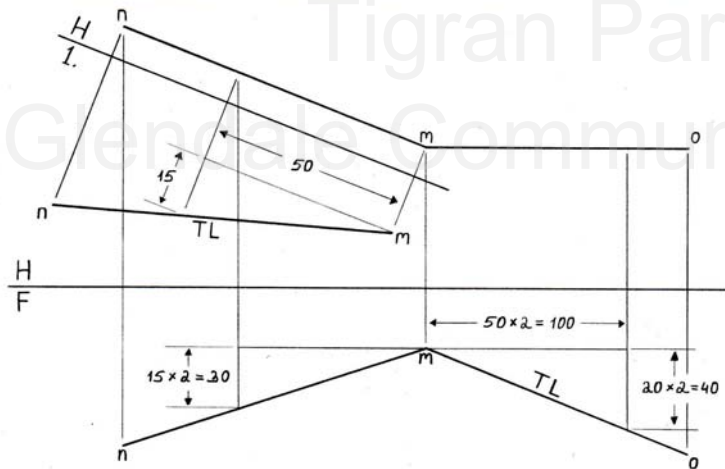
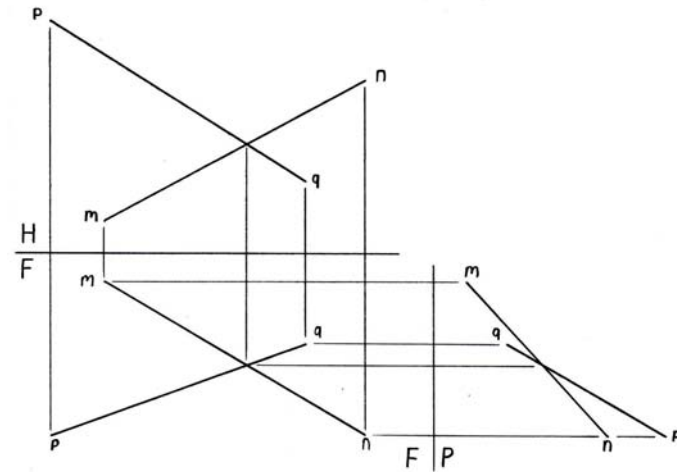


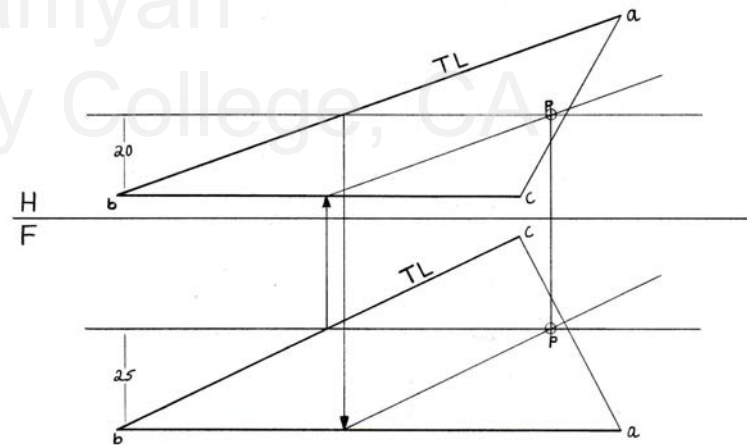
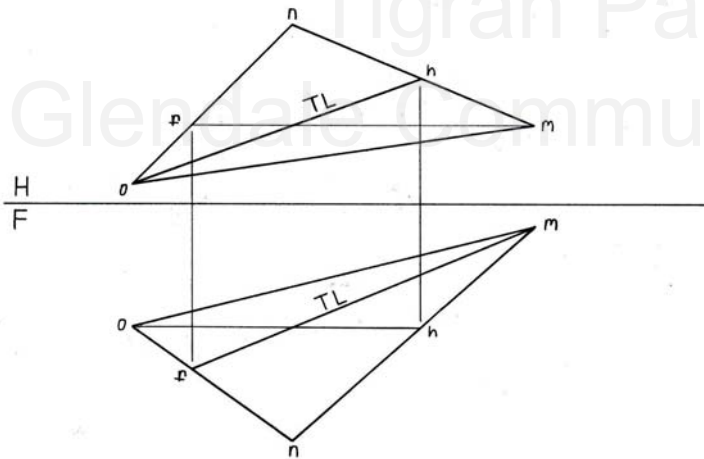
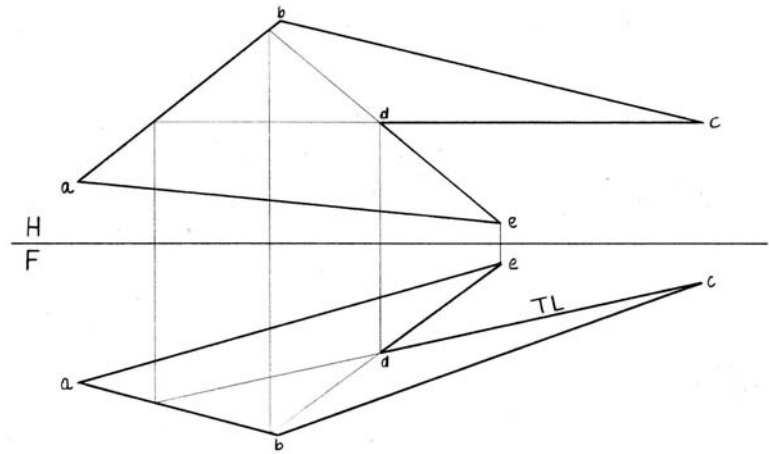
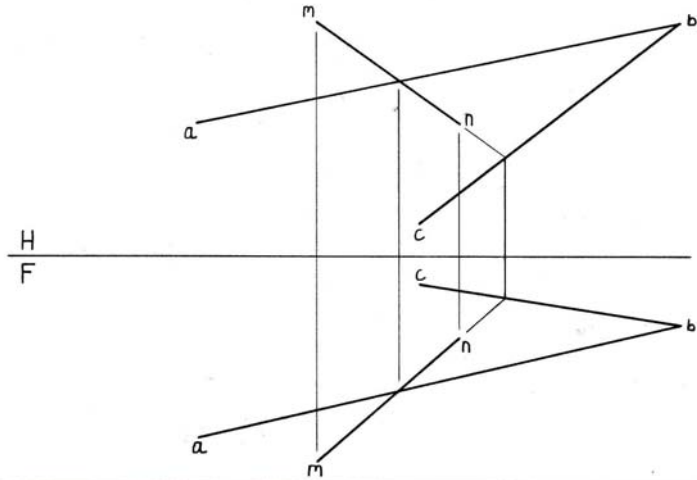
AREA OF SURFACE TS = 2646 SQ.MM

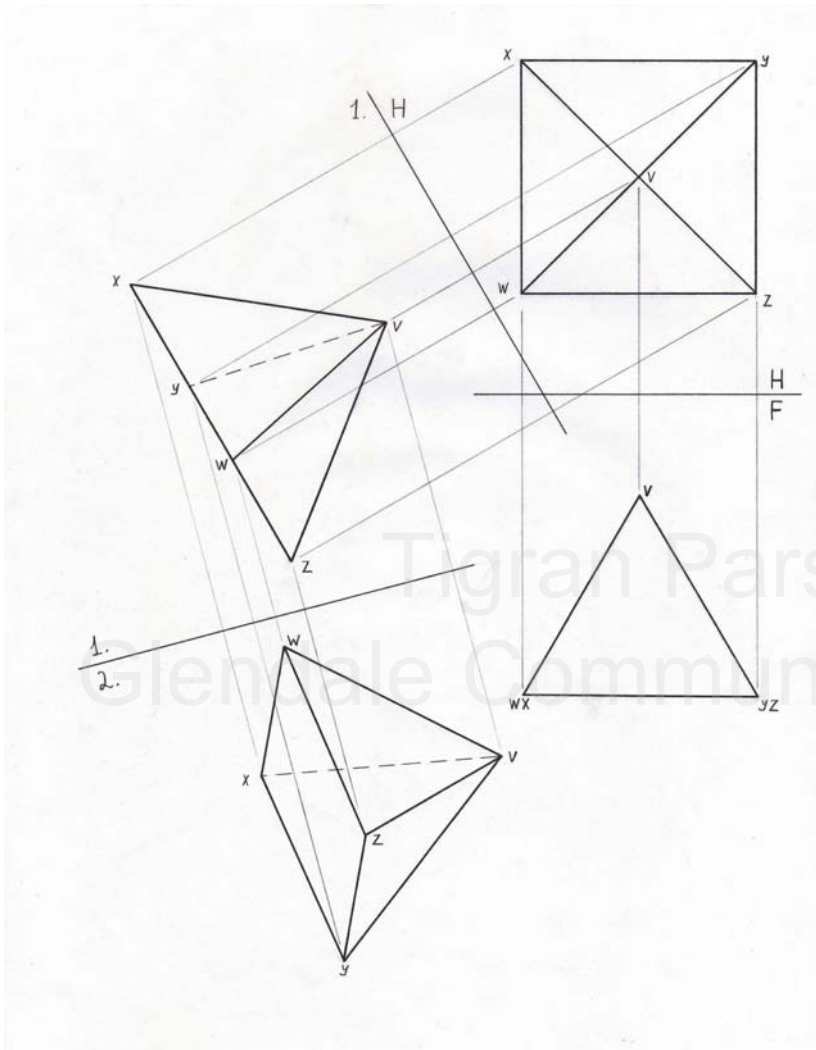




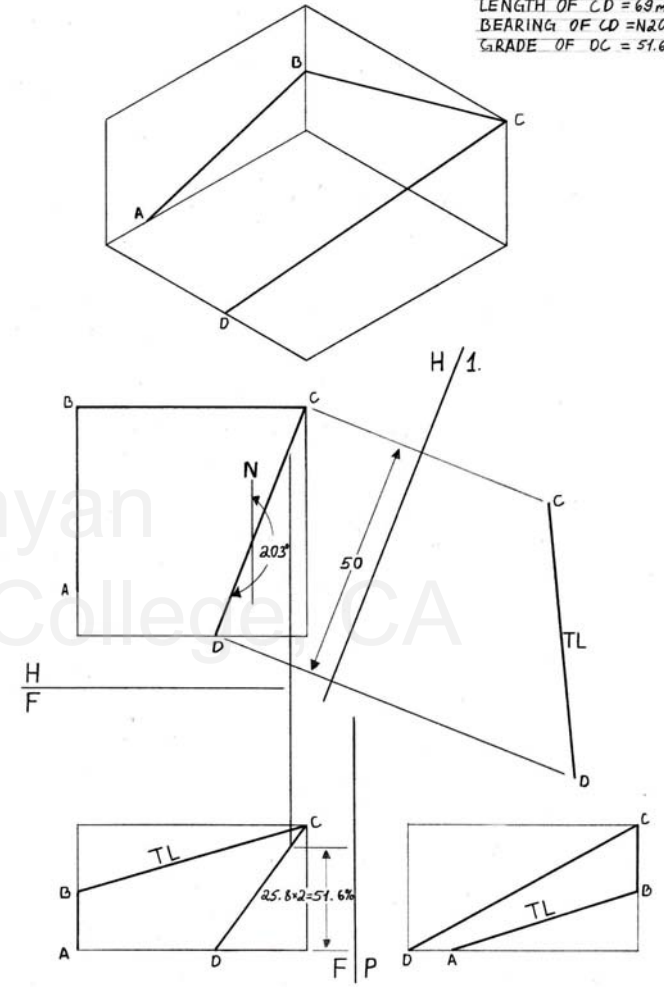
BEARING OF AB = N 104°
 GRADE OF AB = 2.8 %
 LENGTH OF AB = 107m

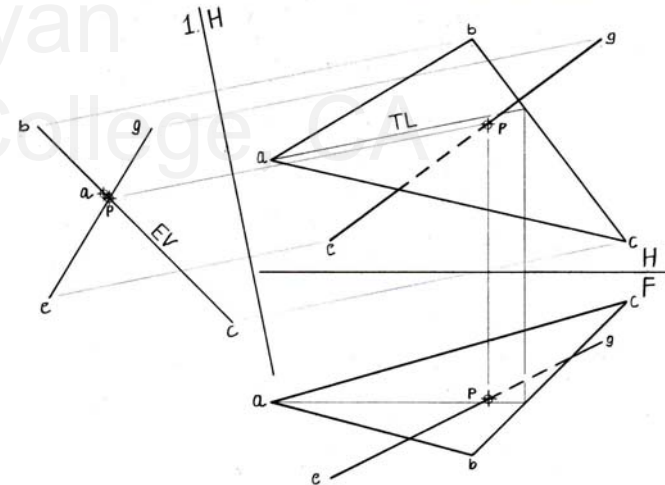
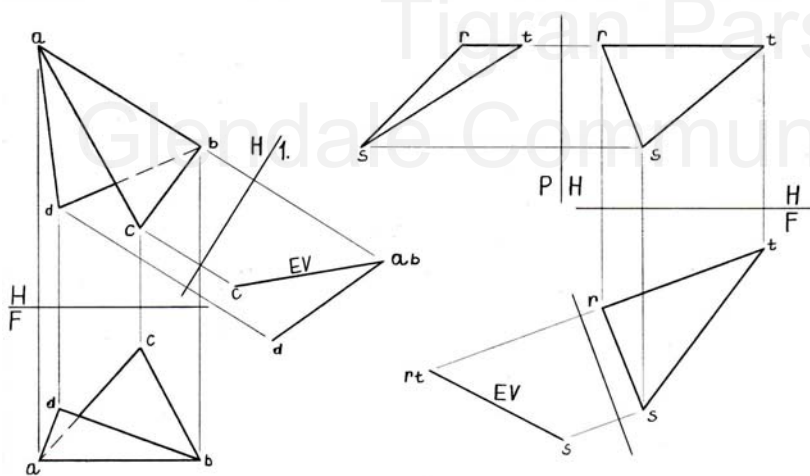
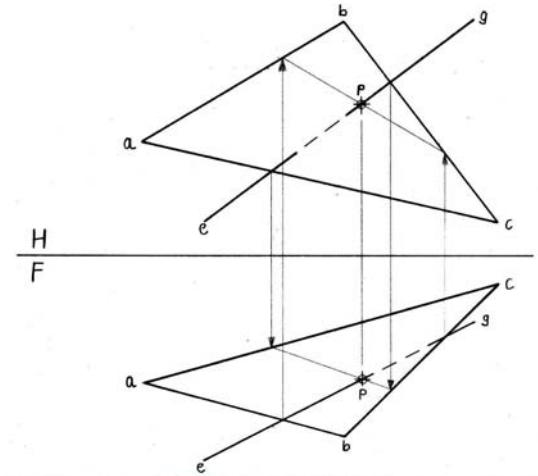
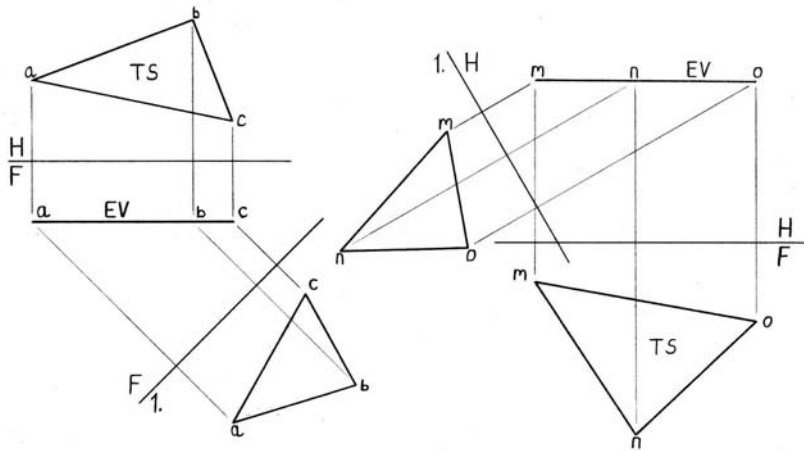


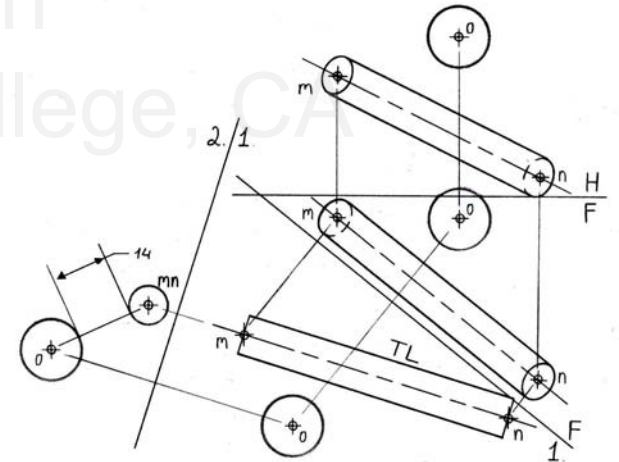
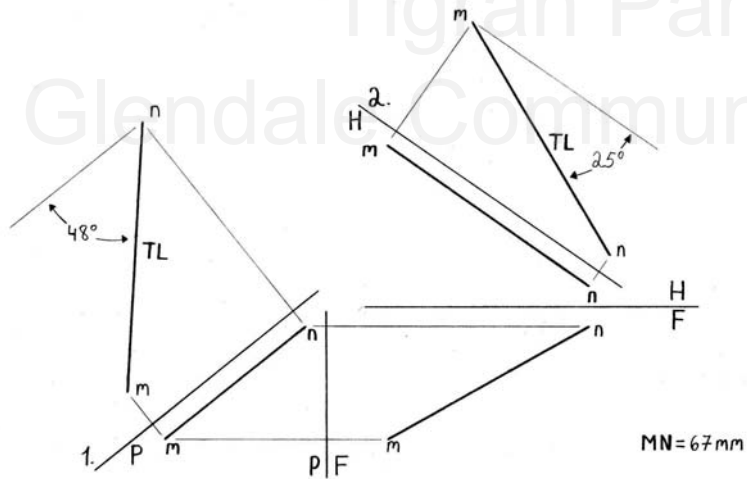
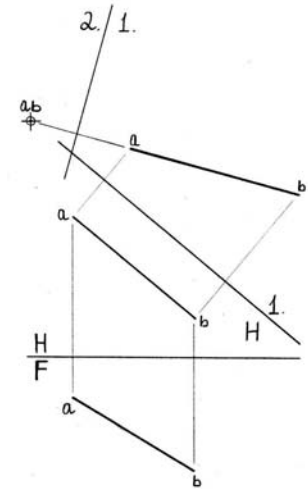
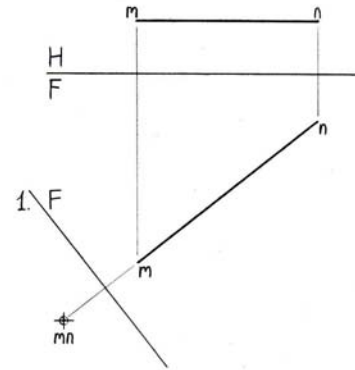
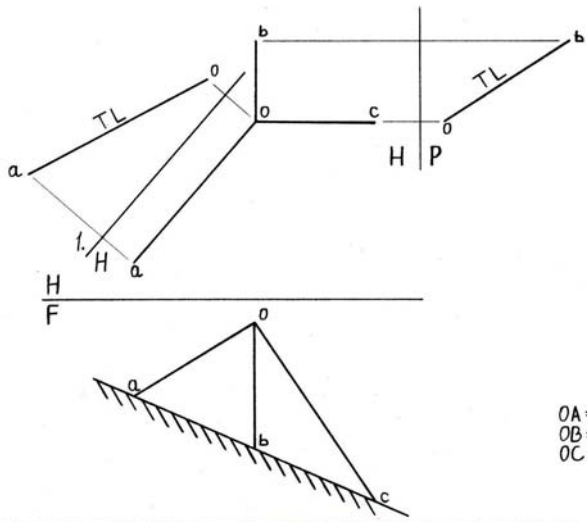


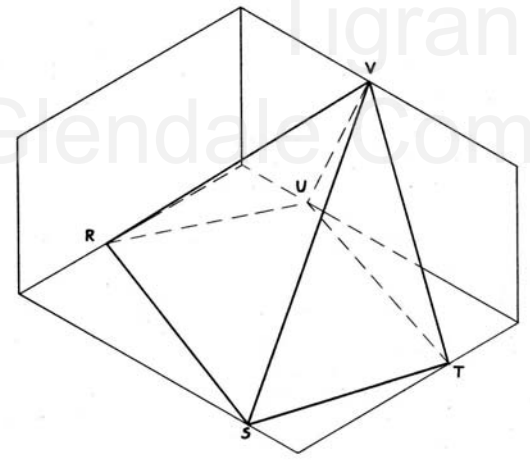
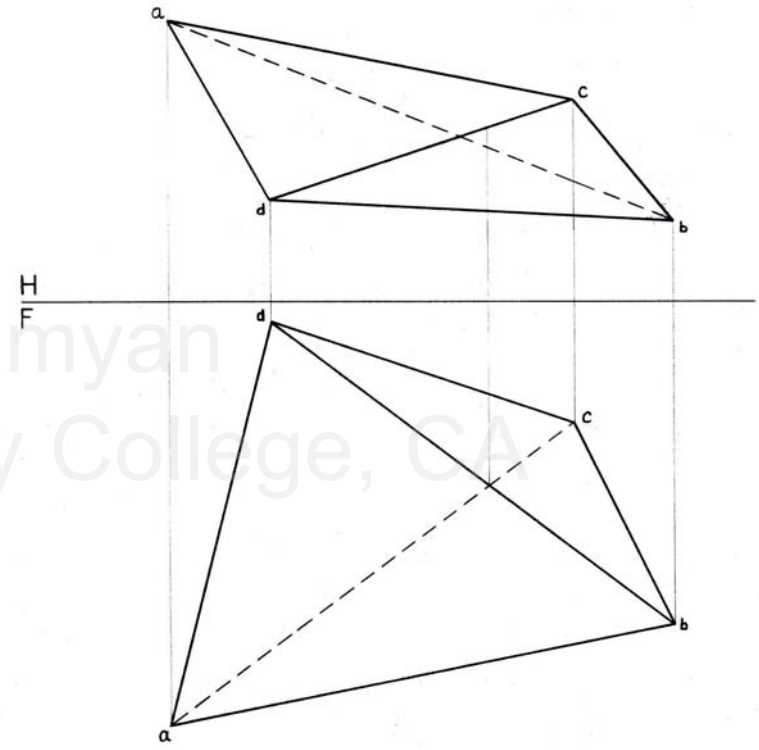
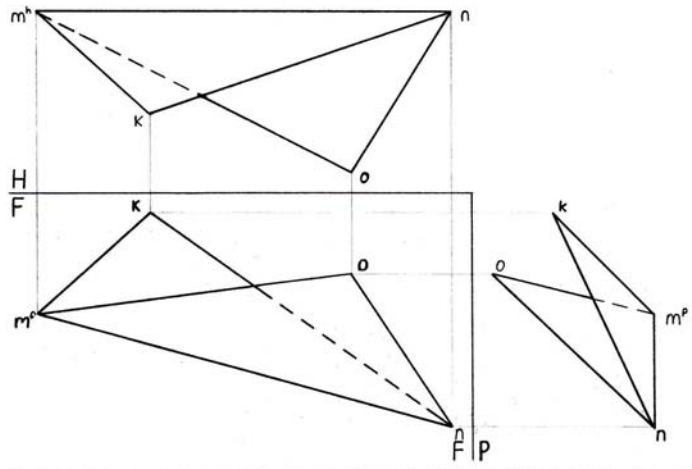


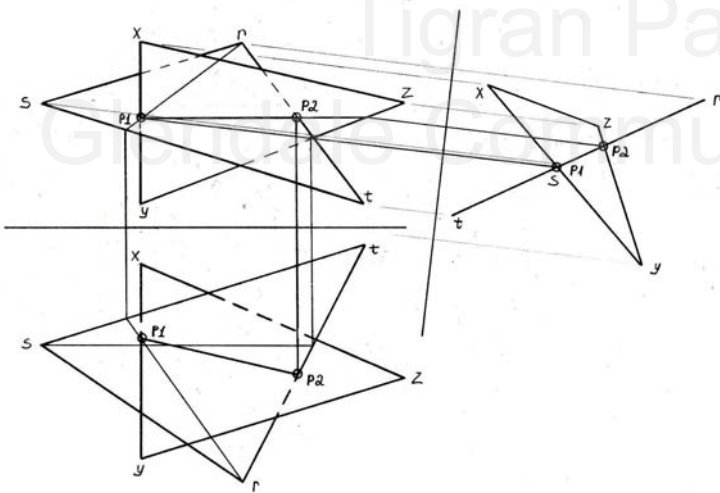
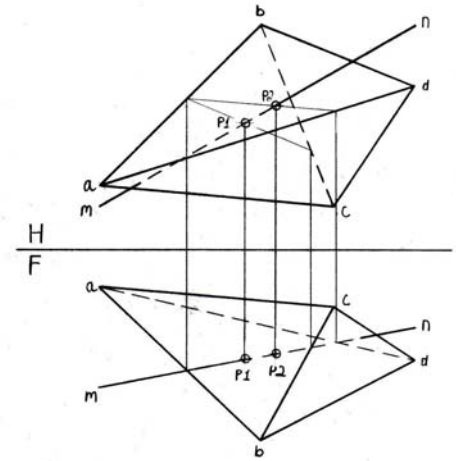
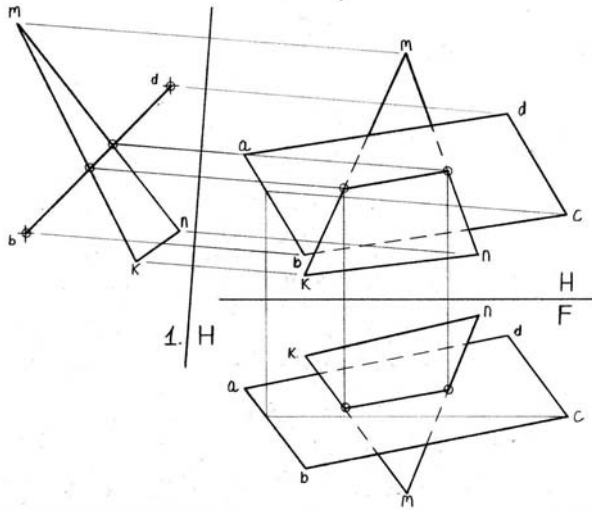
LENGTH OF AB = 48 mm
 LENGTH OF BC = 59 mm
 LENGTH OF CD = 69 mm
 BEARING OF CD = N203°
 GRADE OF DC = 51.6%

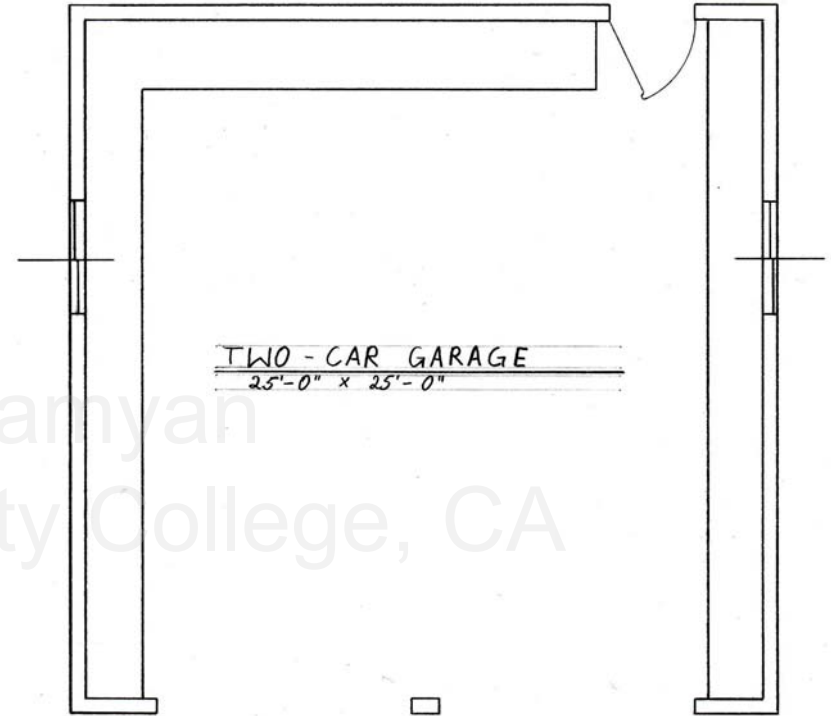
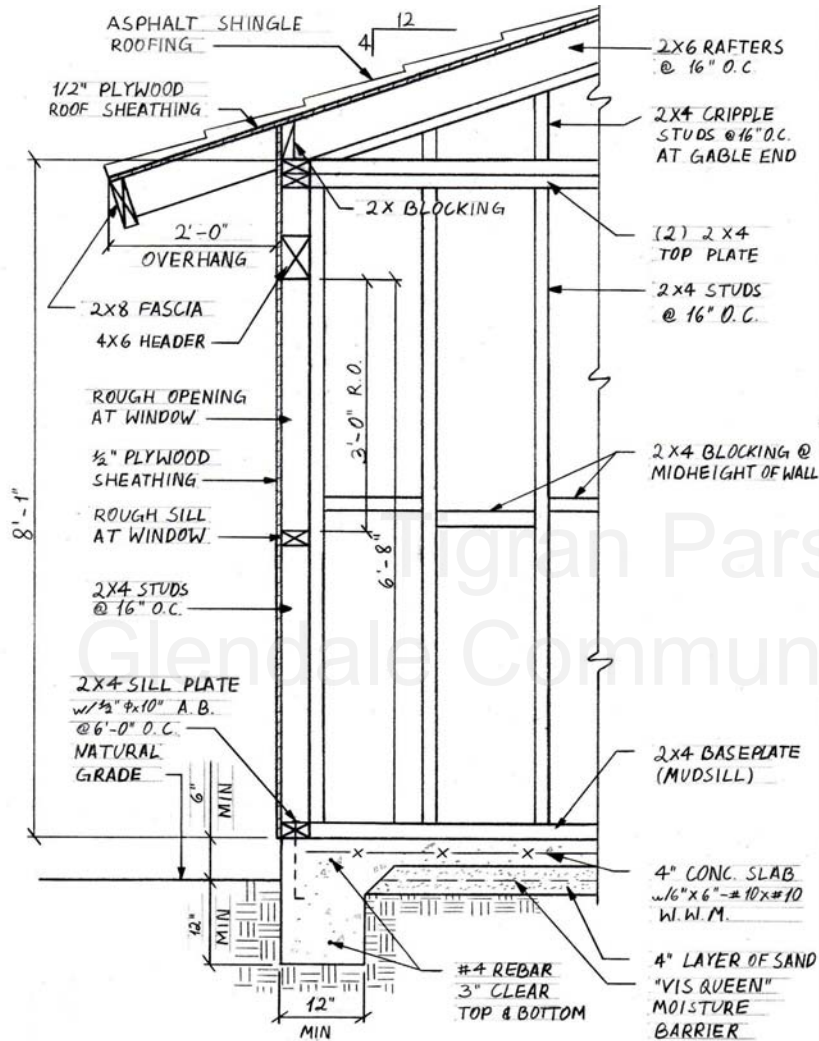






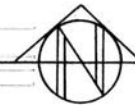


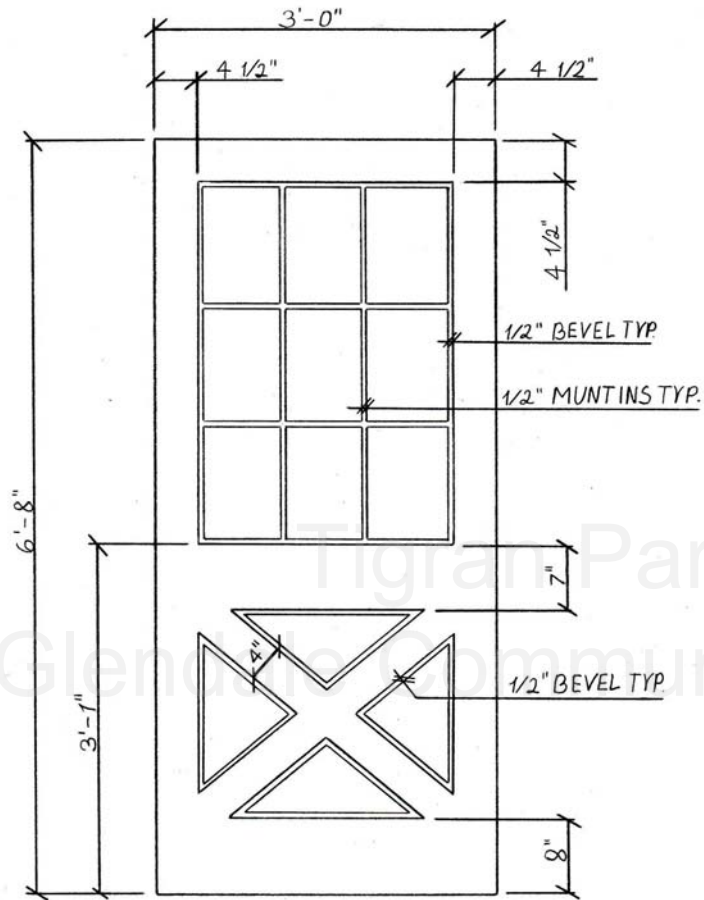




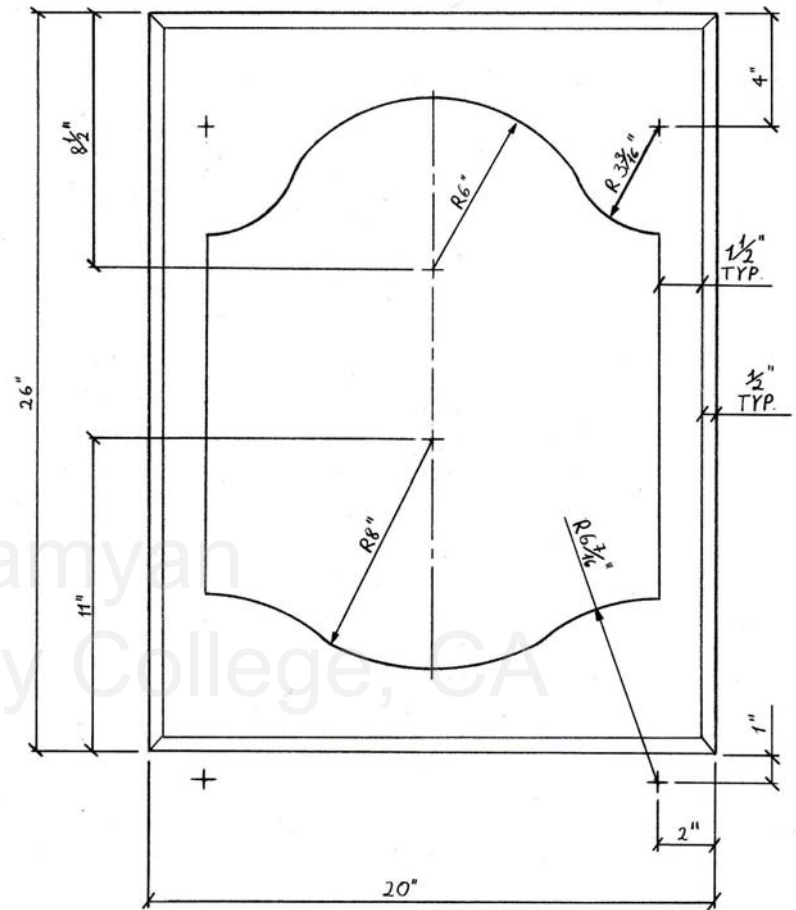
GARAGE FLOOR PLAN

SCALE: 1/4" = 1'-0"

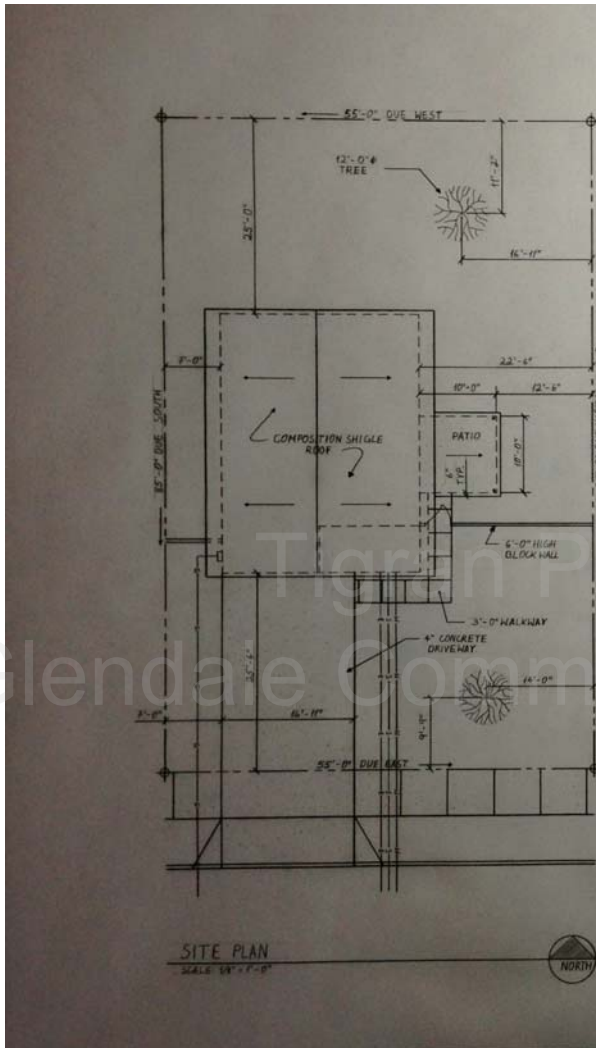




○ CROSS BUCK DOOR
SCALE: 1" = 1'-0"



○ CABINET DOOR
SCALE: 3" = 1'-0"



SITE PLAN
SCALE: 1/8" = 1'-0"

GENERAL NOTES:

1. CONTRACTOR TO CHECK AND VERIFY ALL DIMENSIONS. ANY DISCREPANCIES SHALL BE REPORTED TO ARCHITECT. VERIFY ALL EXISTING FIELD CONDITIONS. ANY ADVERSE SITUATIONS SHALL BE REPORTED TO ARCHITECT.
2. ALL FOOTINGS SHALL BE FOUNDED IN NATURAL UNDISTURBED SOIL.
3. ALL CONCENTRATED DRAINAGE AND ROOF WATER SHALL BE CONDUCTED TO THE STREET IN AN APPROVED DEVICE.
4. ALL LUMBER IN CONTACT WITH CONCRETE OR MASONRY SHALL BE PRESURE TREATED.
5. ANCHOR BOLTS - 1/2" X 10" LONG AT 6'-0" (10" MIN FROM ENDS) EMBEDDED 2" IN CONCRETE.
6. ALL FRAMING LUMBER SHALL COMPLY WITH STANDARDS OF THE WEST COAST LUMBER INSPECTION BUREAU. ALL SHALL BE GRADE MARKED.
SILLS: PRESURE TREATED C. FIR
LIGHT FRAMING JOISTS: DOUGLAS FIR NO 2
BEAMS & POSTS: DOUGLAS FIR NO 4
7. NAILING SHALL COMPLY WITH THE BUILDING CODE.
8. ALL FRAMING MEMBERS SHALL BE ARRANGED AND SPACED TO PERMIT THE PLACEMENT OF DUCTS, PIPES, CONDUITS, ETC., WITH A MINIMUM OF CUTTING OR NOTCHING. ALL NECESSARY CUTTING OR NOTCHING SHALL BE APPROVED BY THE BUILDING INSPECTOR.
9. PROVIDE 3/4" STR. 1 PLYWOOD SHEATHING AT CORNERS AND EVERY 15 LINEAL FEET OF WALL.
10. ALL HEADERS AND BEAMS SHALL HAVE A MINIMUM BEARING SURFACE OF 1 1/2".
11. ALL JOIST WALLS SHALL BE BLOWED AT MID HEIGHT OF WALL IN SPIND BLOCKING SHALL BE PLACED BETWEEN ALL JOISTS AND RAFTERS AND ALL SUPPORTS.
12. PROVIDE 1/2" POUND FELT UNDER ALL EXTERIOR FINISHES.

SHEET INDEX

NO	SHEET TITLE
T-1	PICTORIAL OF STRUCTURE
A-1	SITE & ROOF PLAN, GENERAL NOTES
A-2	FLOOR PLAN, DOOR & WINDOW SCHEDULES
A-3	FOUNDATION PLAN
A-4	FOUNDATION DETAILS
A-5	FRAMING PLAN
A-6	ELECTRICAL PLAN
A-7	EXTERIOR ELEVATIONS

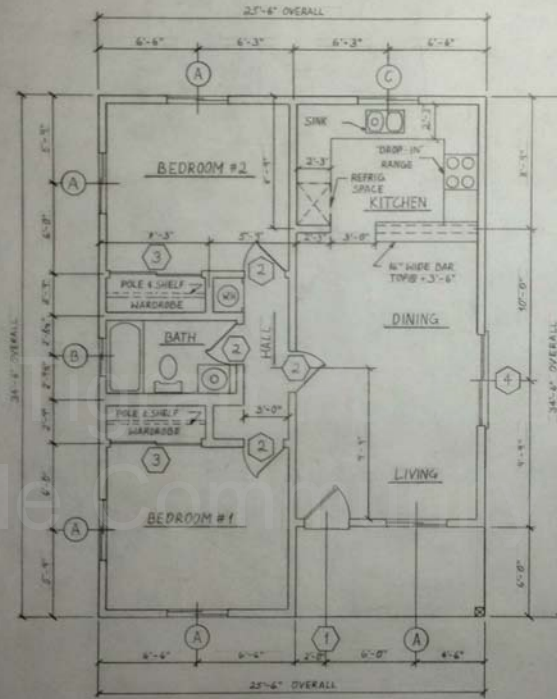
GLENDALE COMMUNITY COLLEGE	
TITLE	TWO BEDROOM CABIN
DRAFTER	TIGRAN PARSAMYAN
SCALE	1/8" = 1'-0"
DATE	11-02-02
SHEET TITLE	SITE PLAN
SHEET A-1 2 OF 8	

DOOR SCHEDULE

SYN	WIDTH	HEIGHT	THK	TYPE	MATERIAL	HC/SC	GLZ AREA	REMARKS
1	2'-0"	6'-8"	1/2"	SLAB	WOOD	SC	-	
2	2'-0"	7'	1/2"	-	-	HC	-	
3	6'-0"	7'	-	SLIDING	-	-	-	
4	6'-0"	7'	-	SLIDING	METAL	-	40.00	1/4" TEMP GLASS

WINDOW SCHEDULE

SYN	WIDTH	HEIGHT	TYPE	FRAME	SCREEN	GLZ AREA	VENT AREA	REMARKS
(A)	4'-0"	4'-0"	SLIDING	METAL	YES	16.00	8.00	
(B)	2'-6"	6'-6"	-	-	YES	3.50	1.50	
(C)	4'-0"	3'-2"	-	-	YES	2.70	1.30	

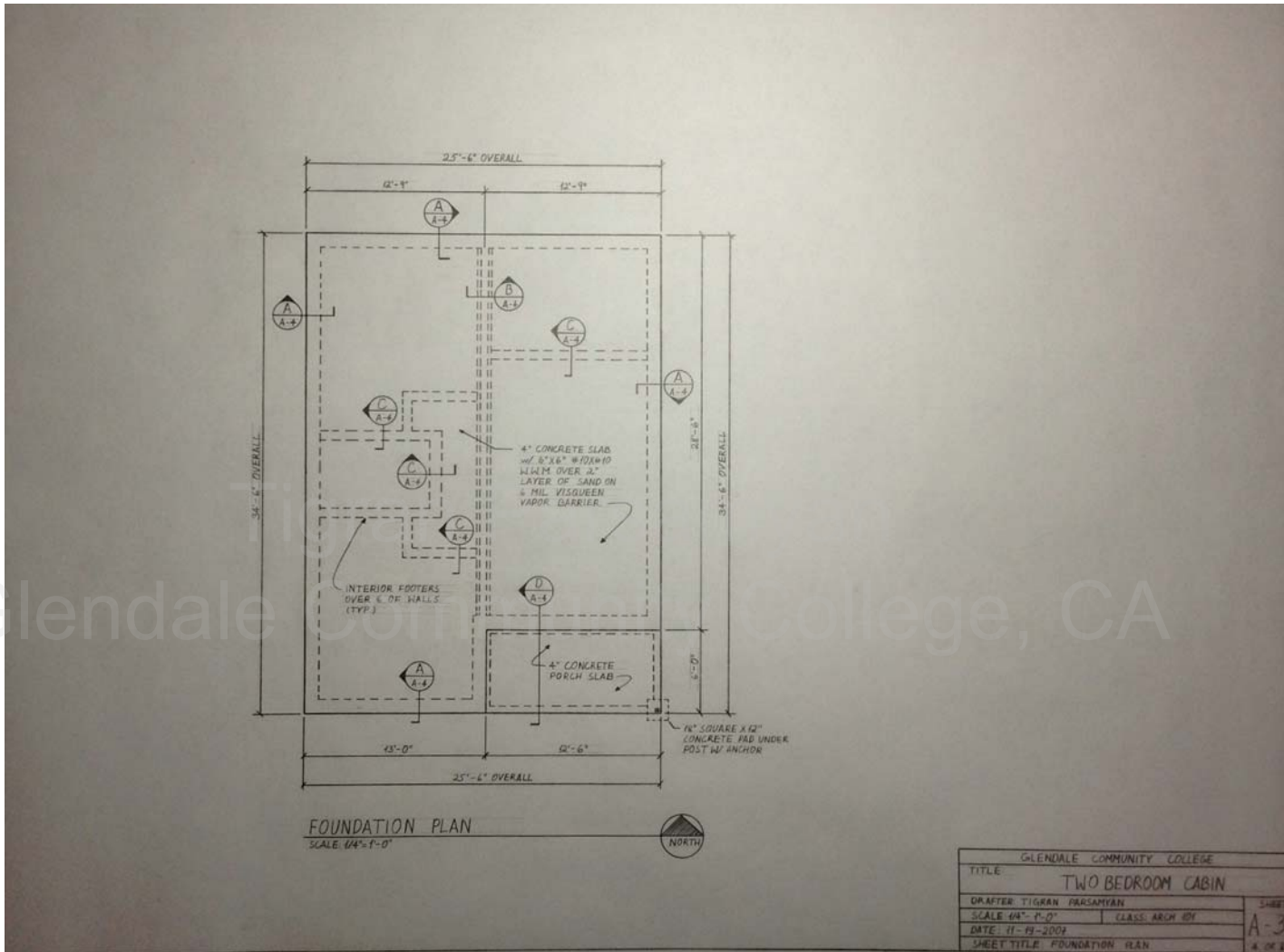


FLOOR PLAN
SCALE 1/4"=1'-0"



GLENDALE COMMUNITY COLLEGE	
TITLE	TWO BEDROOM CABIN
DRAFTER	TIGRAN PARSAMYAN
SCALE	1/4"=1'-0"
DATE	10/24/2013
SHEET TITLE	FLOOR PLAN

SHEET
A-2
OF

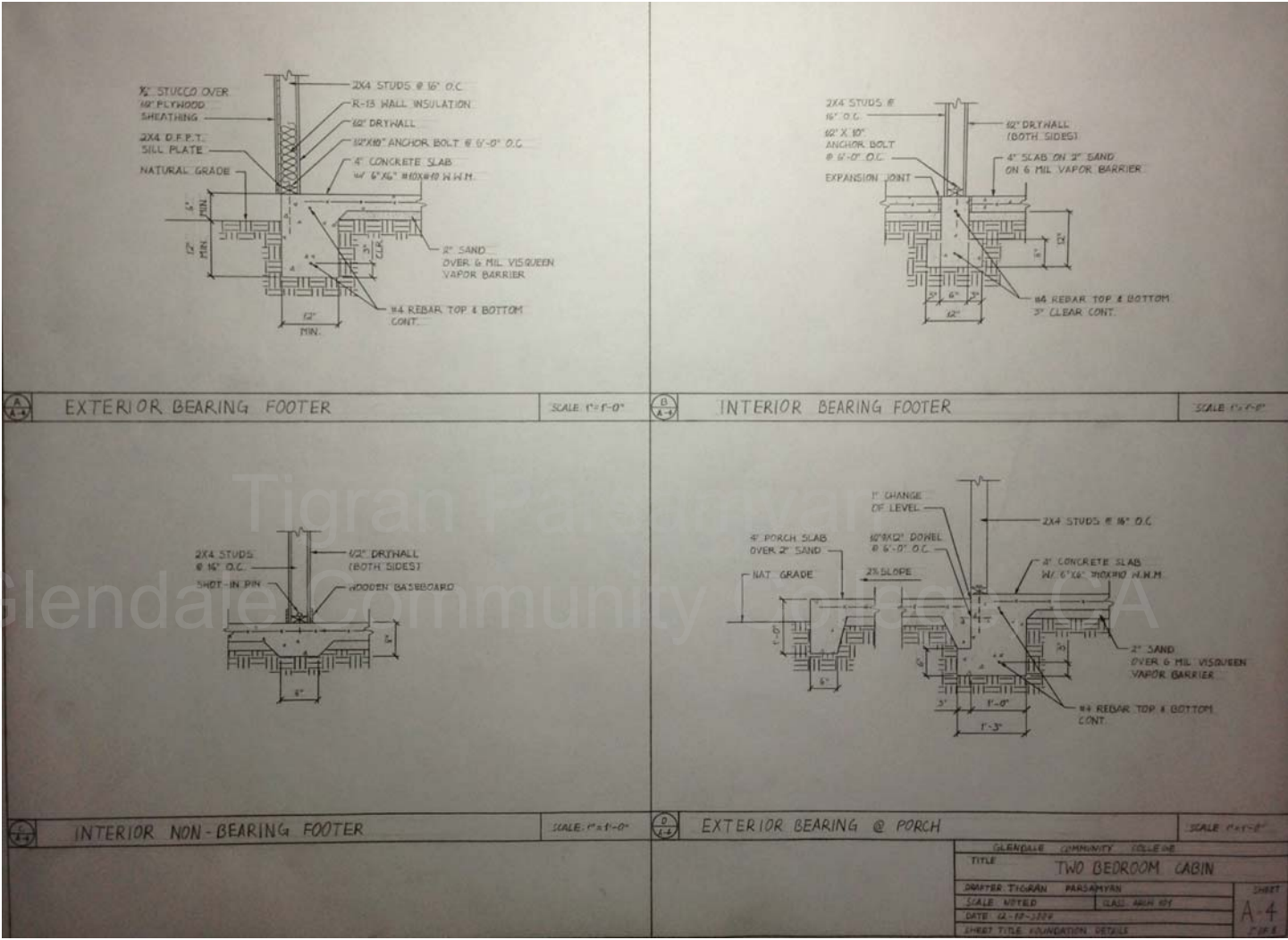


GLENDALE COMMUNITY COLLEGE
ARCHITECTURE DEPARTMENT

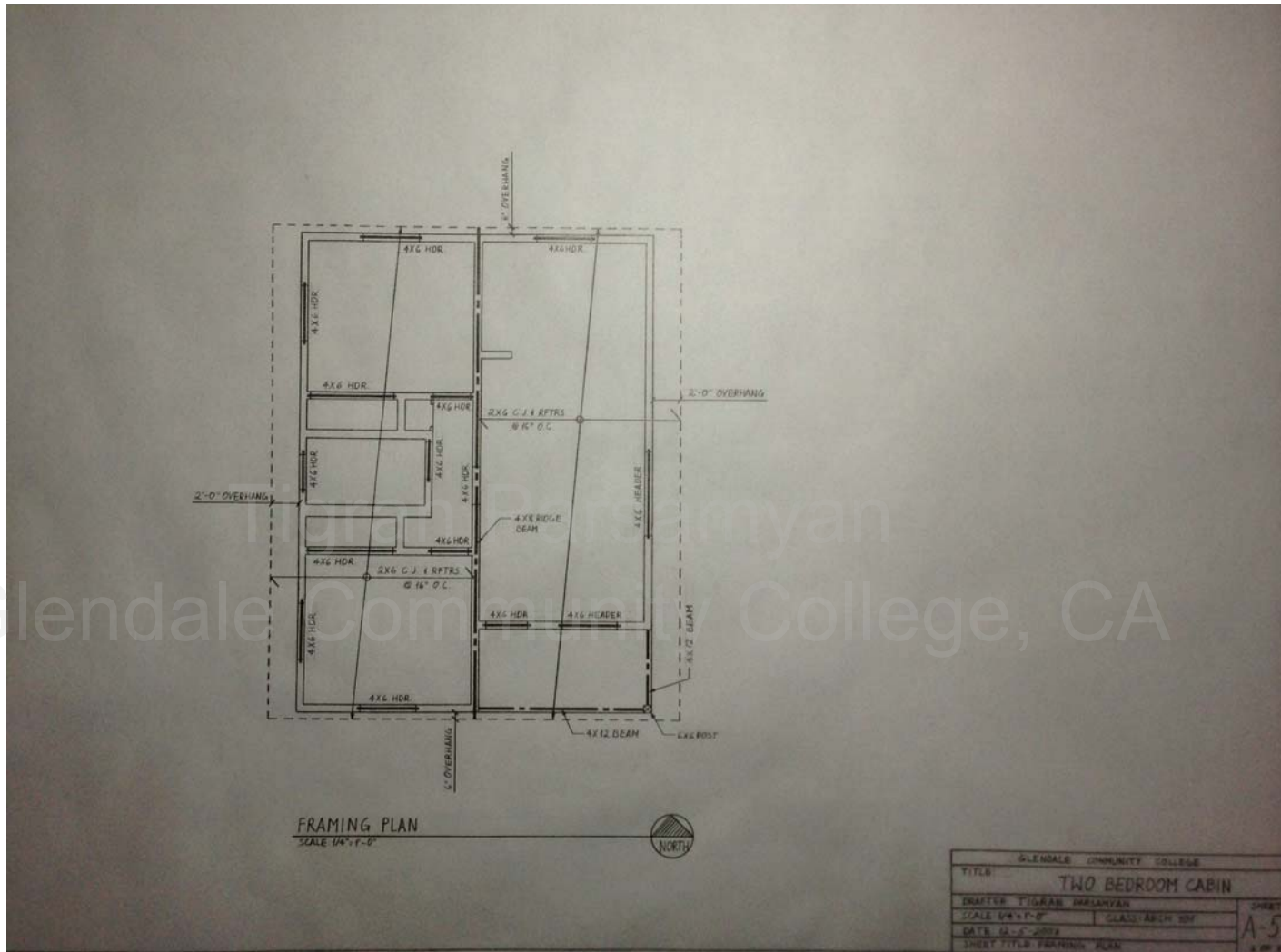
TWO BEDROOM CABIN

FOUNDATION PLAN
SCALE: 1/4"=1'-0"
SHEET SIZE: 24"X18"

COLLEGE PORTFOLIO, 2013
TIGRAN PARSAMYAN



GLENDALE COMMUNITY COLLEGE		SHEET
TITLE: TWO BEDROOM CABIN		
DRAWN: TIGRAN PARSAMYAN	CLASS: ARCH 101	A-4
SCALE: NOTED		
DATE: 12-12-2009		
SHEET TITLE: FOUNDATION DETAILS		COPY 1

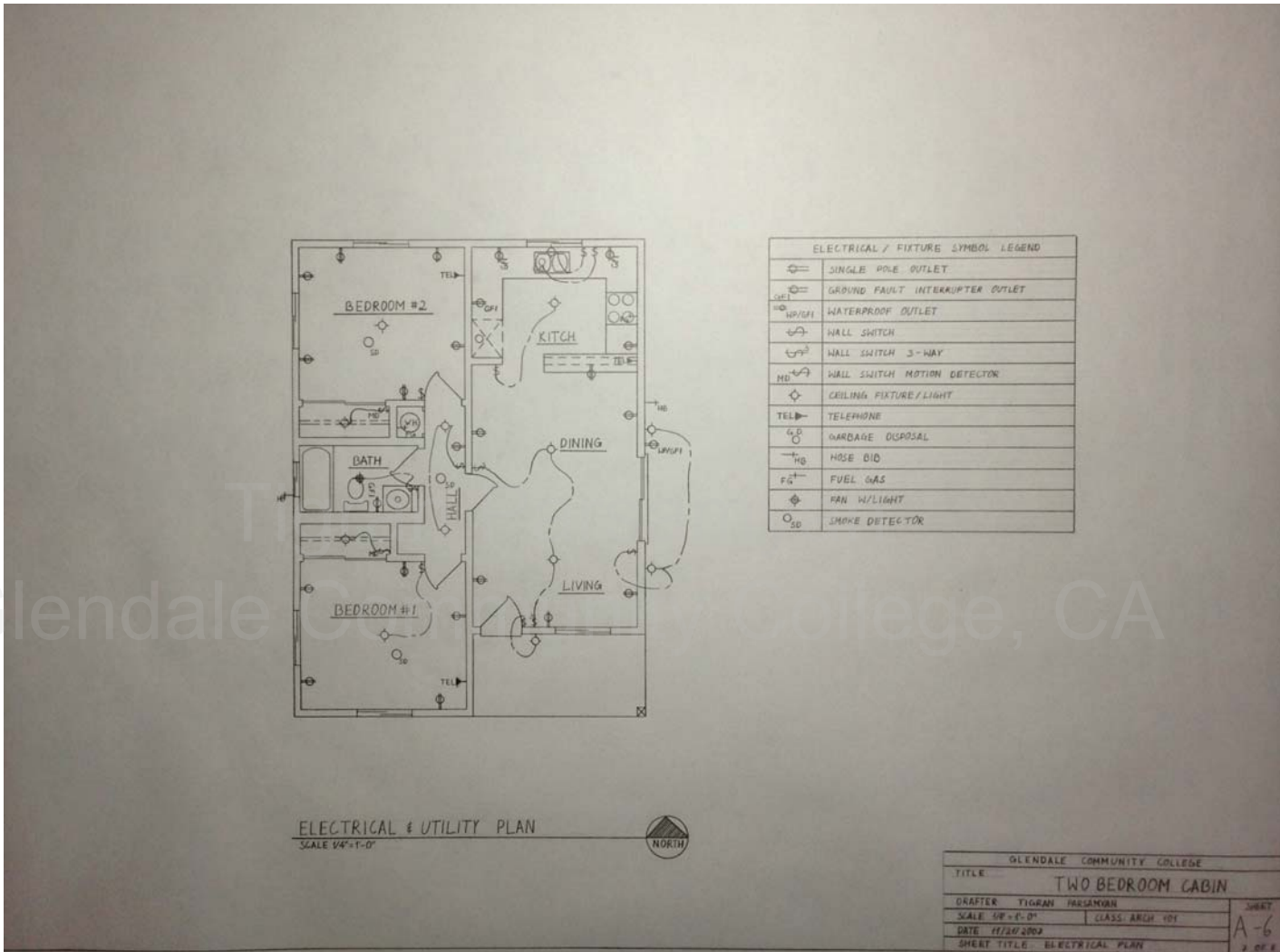


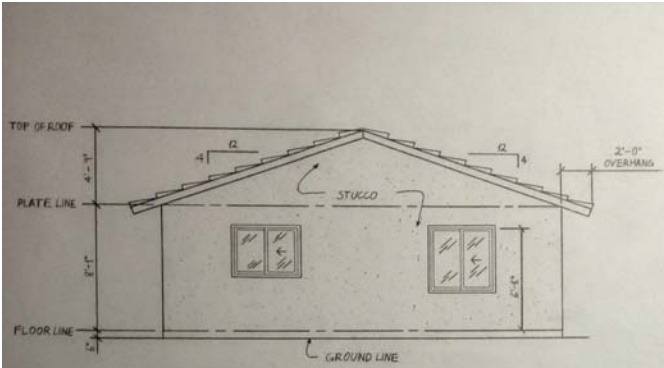
GLENDALE COMMUNITY COLLEGE
ARCHITECTURE DEPARTMENT

TWO BEDROOM CABIN

FRAMING PLAN
SCALE: 1/4"=1'-0"
SHEET SIZE: 24"X18"

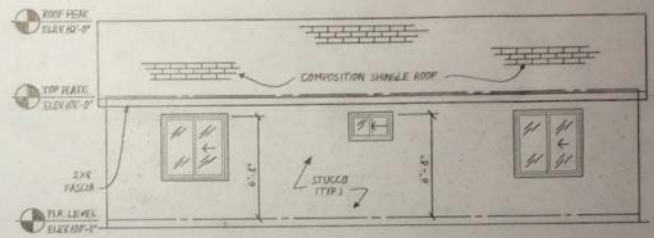
COLLEGE PORTFOLIO, 2013
TIGRAN PARSAMYAN





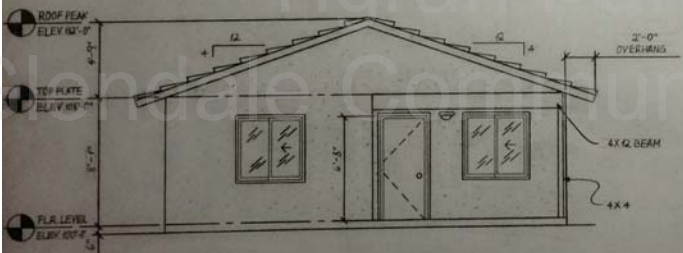
REAR/NORTH ELEVATION
SCALE: 1/4"=1'-0"

1
A-7



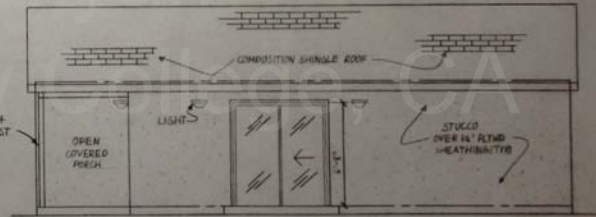
LEFT/WEST ELEVATION
SCALE: 1/4"=1'-0"

2
A-7



FRONT/SOUTH ELEVATION
SCALE: 1/4"=1'-0"

3
A-7



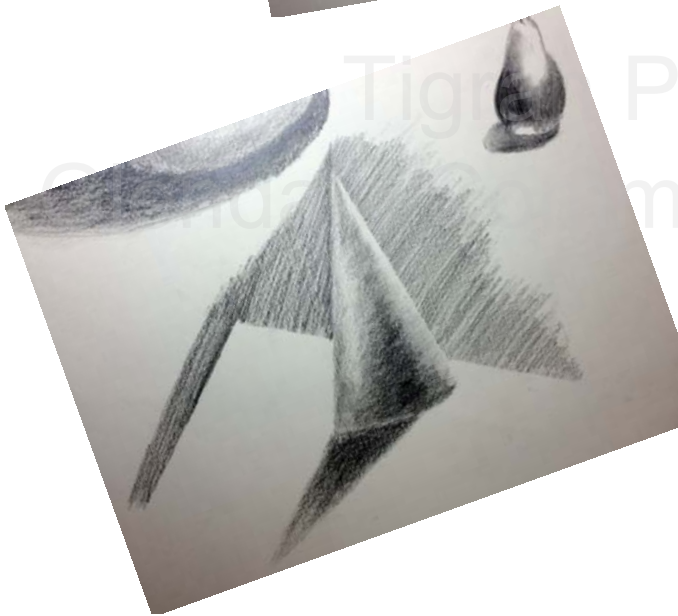
RIGHT/EAST ELEVATION
SCALE: 1/4"=1'-0"

4
A-7

GLENDALE COMMUNITY COLLEGE		
TITLE: TWO BEDROOM CABIN		
DESIGNER: TIGRAN PARSAMYAN	DATE: 02-2-2009	SHEET: A-7 1 OF 8
SCALE: 1/4"=1'-0"	DATE: 02-2-2009	
SHEET TITLE: EXTERIOR ELEVATIONS		

Tigran Parsamyan
Glendale Community College, CA

SKETCHES



GLENDALE COMMUNITY COLLEGE
ARCHITECTURE DEPARTMENT

COLLEGE PORTFOLIO, 2013
TIGRAN PARSAMYAN

STUDY OF SOLIDS, LIGHTS AND SHADOWS

CHARCOAL ON
PAPER
SHEET SIZE:24"X18"

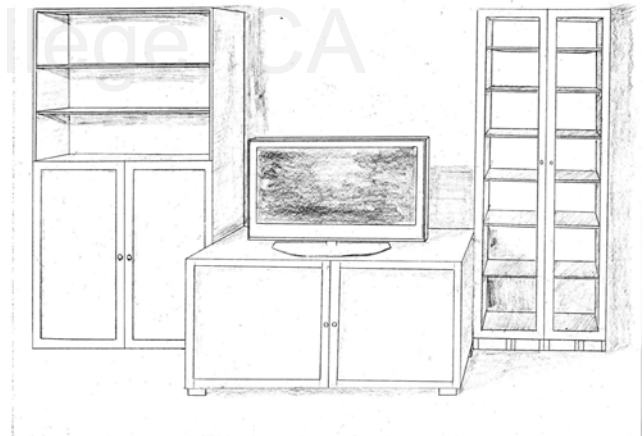
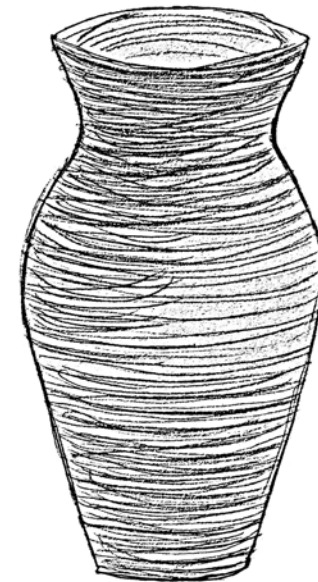
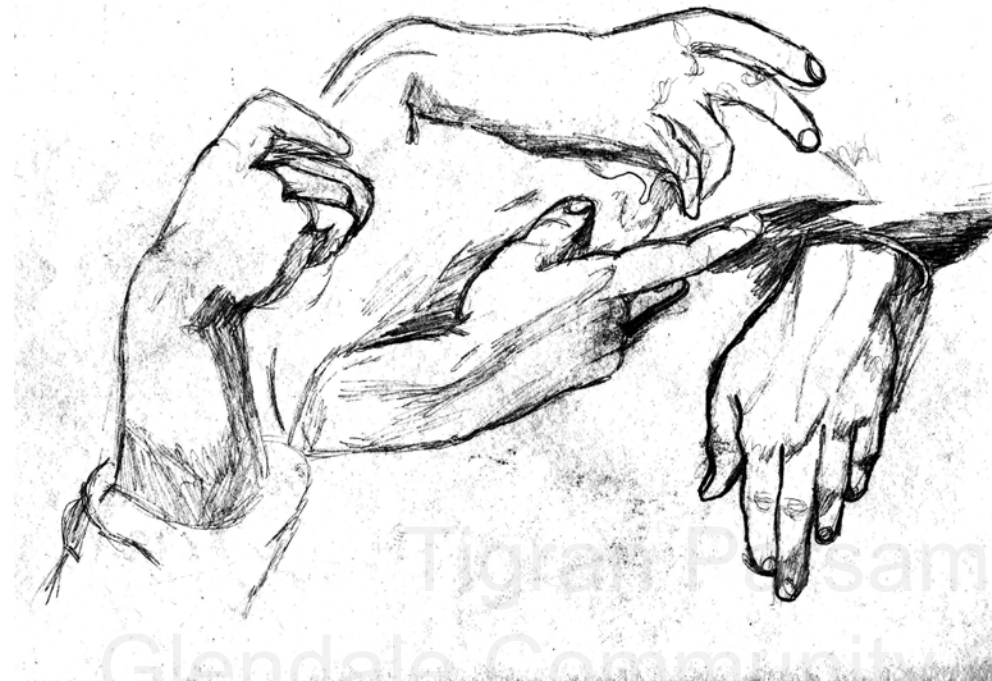


GLENDALE COMMUNITY COLLEGE
ARCHITECTURE DEPARTMENT

COLLEGE PORTFOLIO, 2013
TIGRAN PARSAMYAN

STUDY OF HUMAN
FIGURES

PENCIL ON PAPER



GLENDALE COMMUNITY COLLEGE
ARCHITECTURE DEPARTMENT

COLLEGE PORTFOLIO, 2013
TIGRAN PARSAMYAN

STUDY OF SHAPES

STUDY OF HUMAN
HANDS, CROSS
CONTOUR LINES
PENCIL ON PAPER

Tigran Parsamyan

LINE & DESIGN STUDIES

Glendale Community College, CA



ORIGINAL IMAGE



SIMPLIFIED TO LINES



BLACK AND WHITE IMAGE



GLENDALE COMMUNITY COLLEGE
ARCHITECTURE DEPARTMENT

COLLEGE PORTFOLIO, 2013
TIGRAN PARSAMYAN

APPLICATION WITH GRAPHIC PEN

GRAPHIC PEN ON
PAPER & STENCIL.
POSTER BOARD
SIZE:24"X18"

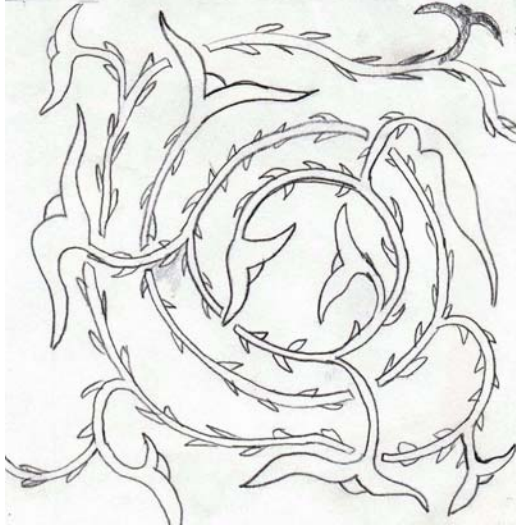


GLENDALE COMMUNITY COLLEGE
 ARCHITECTURE DEPARTMENT

COLLEGE PORTFOLIO, 2013
 TIGRAN PARSAMYAN

APPLICATION WITH GRAPHIC PEN

GRAPHIC PEN ON
 PAPER
 POSTER BOARD
 SIZE:24"X18"

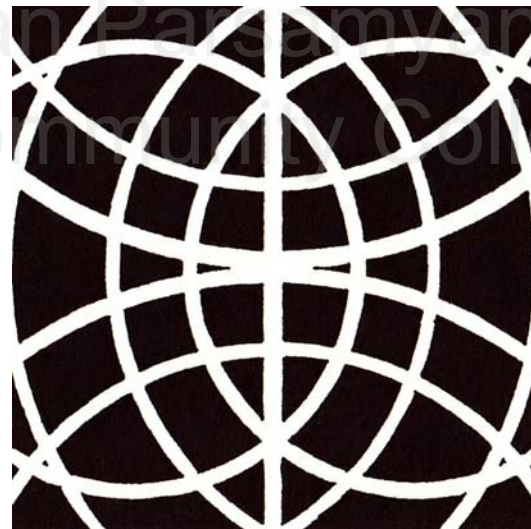
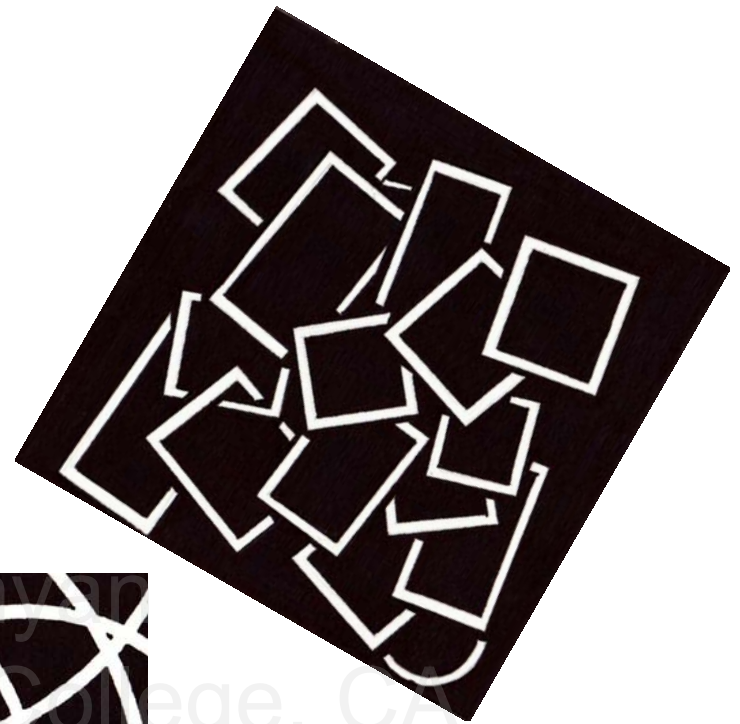


GLENDALE COMMUNITY COLLEGE
ARCHITECTURE DEPARTMENT

COLLEGE PORTFOLIO, 2013
TIGRAN PARSAMYAN

APPLICATION WITH
GRAPHIC PEN

GRAPHIC PEN ON
PAPER

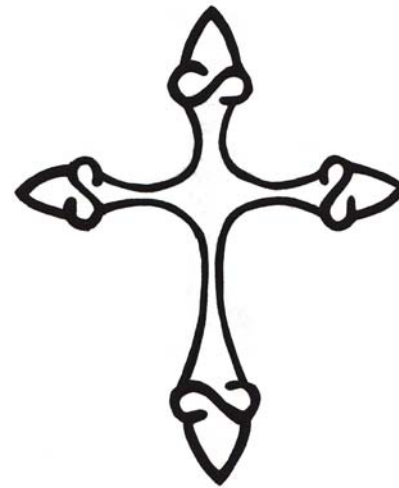
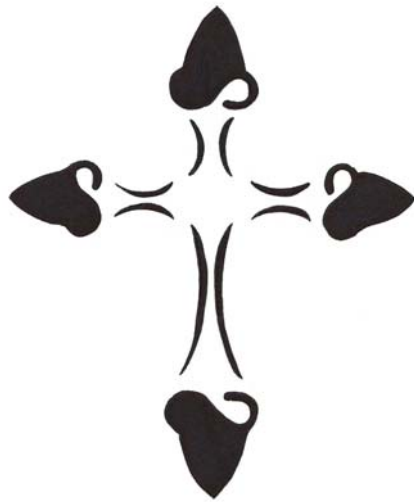


GLENDALE COMMUNITY COLLEGE
ARCHITECTURE DEPARTMENT

COLLEGE PORTFOLIO, 2013
TIGRAN PARSAMYAN

APPLICATION WITH
GRAPHIC PEN

GRAPHIC PEN ON
PAPER



Tigran Parsamyan
Glendale Community College, CA

Tigran Parsamyan
Glendale Community College, CA

WOODWORK



GLENDALE COMMUNITY COLLEGE
ARCHITECTURE DEPARTMENT

COLLEGE PORTFOLIO, 2013
TIGRAN PARSAMYAN

WOODEN VASE

MEDIUM DENSITY
FIBERBOARD



GLENDALE COMMUNITY COLLEGE
ARCHITECTURE DEPARTMENT

WOODEN VASE

MEDIUM DENSITY
FIBERBOARD

COLLEGE PORTFOLIO, 2013
TIGRAN PARSAMYAN



GLENDALE COMMUNITY COLLEGE
ARCHITECTURE DEPARTMENT

NAPKIN HOLDER

MEDIUM DENSITY
FIBERBOARD

COLLEGE PORTFOLIO, 2013
TIGRAN PARSAMYAN



GLENDALE COMMUNITY COLLEGE
ARCHITECTURE DEPARTMENT

COLLEGE PORTFOLIO, 2013
TIGRAN PARSAMYAN

BUTTERFLY NAPKIN HOLDER

MEDIUM DENSITY
FIBERBOARD

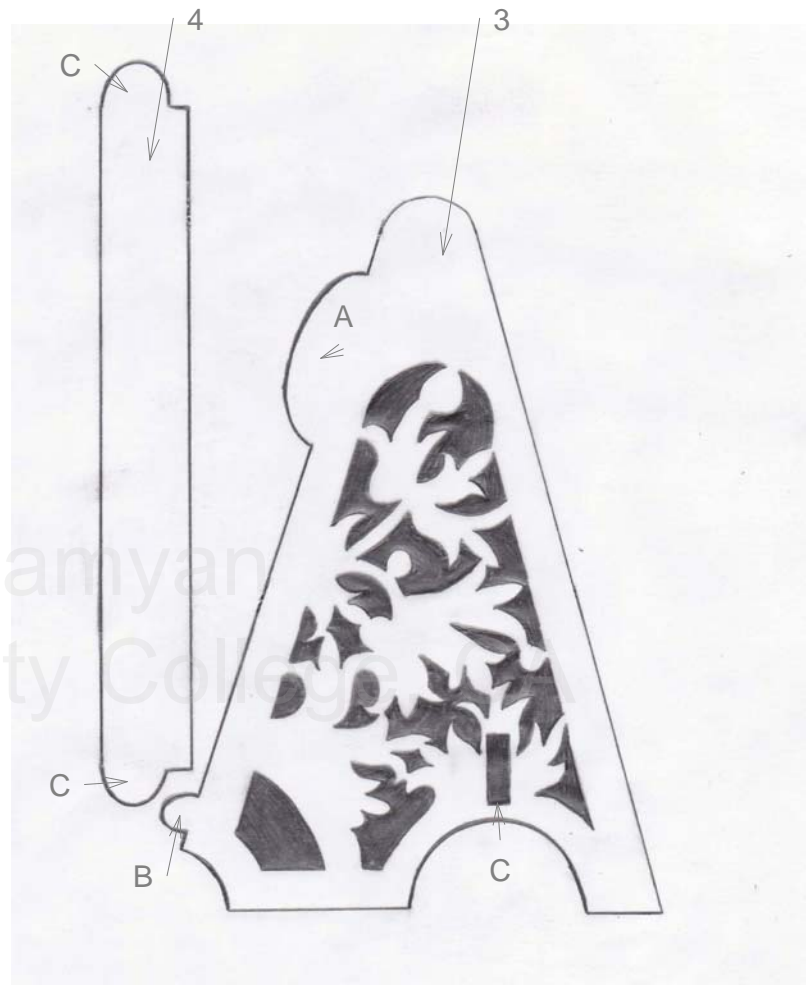


GLENDALE COMMUNITY COLLEGE
ARCHITECTURE DEPARTMENT

COLLEGE PORTFOLIO, 2013
TIGRAN PARSAMYAN

PICTURE FRAME

MEDIUM DENSITY
FIBERBOARD



1. Back Plate
2. Front Plate

3. Side Plate
4. Joining Piece

A. B. C. - Openings for joining pieces



GLENDALE COMMUNITY COLLEGE
ARCHITECTURE DEPARTMENT

COLLEGE PORTFOLIO, 2013
TIGRAN PARSAMYAN

MOVABLE WOODEN FIGURE

MEDIUM DENSITY
FIBERBOARD

Tigran Parsamyan GRAPHIC DESIGN
Glendale Community College, CA

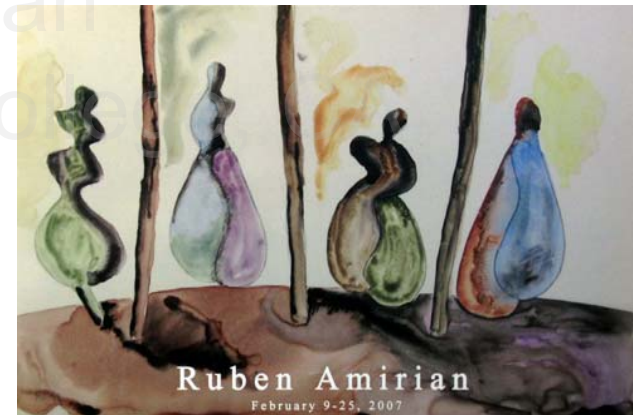
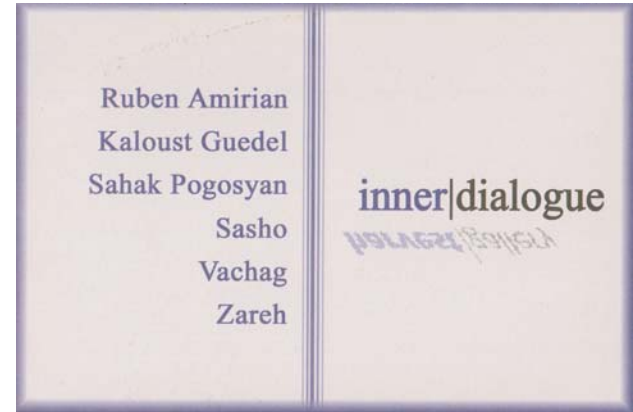
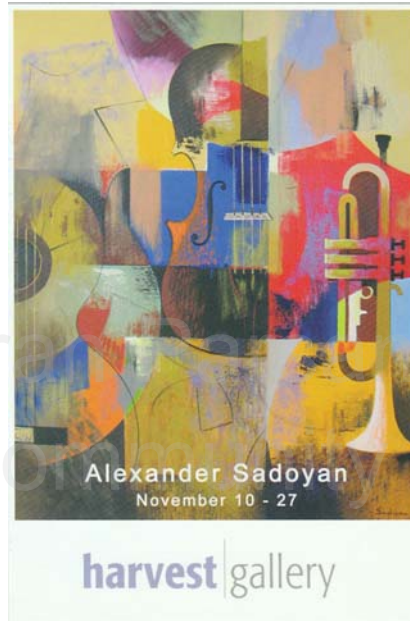
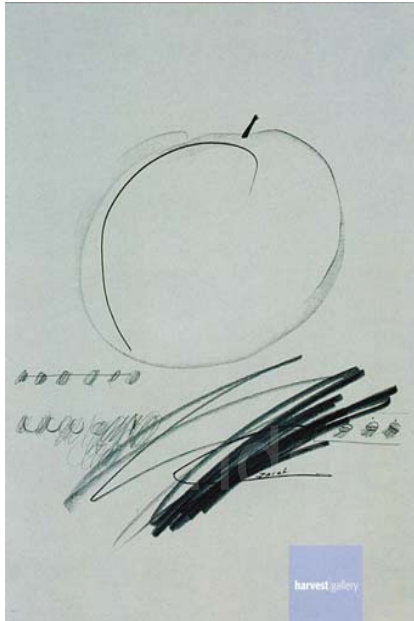


GLENDALE COMMUNITY COLLEGE
ARCHITECTURE DEPARTMENT

COLLEGE PORTFOLIO, 2013
TIGRAN PARSAMYAN

EXHIBITION INVITATION CARDS

DESIGN OF
INVITATION CARDS
FOR HARVEST
GALLERY'S ART
EXHIBITIONS

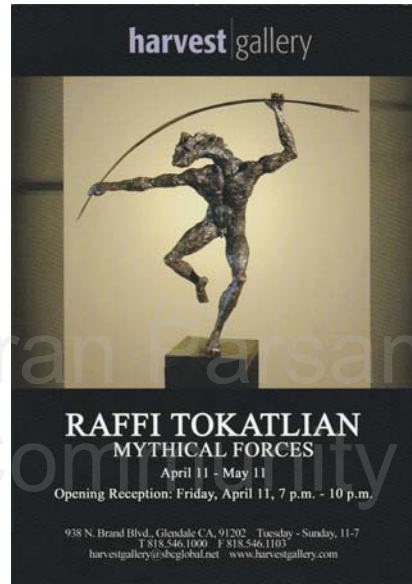


GLENDALE COMMUNITY COLLEGE
 ARCHITECTURE DEPARTMENT

COLLEGE PORTFOLIO, 2013
 TIGRAN PARSAMYAN

EXHIBITION INVITATION CARDS

HARVEST GALLERY -
 - INVITATION CARDS
 PHOTO PAPER
 SIZE: 4" X 6"



Tigran Parsamyan AQUARIUM DESIGN
Glendale Community College, CA



The Archerfish (Spinner fish or Archer fish) are a family (Toxotidae) of fish known for their habit of preying on land based insects and other small animals by literally shooting them down with water droplets from their specialized mouths.

PERSONAL PHOTO



PERSONAL PHOTO



Mudskippers are members of the subfamily Oxudercinae (tribe Periophthalminae), within the family Gobiidae (Gobies). They are completely amphibious fish, fish that can use their pectoral fins to walk on land.

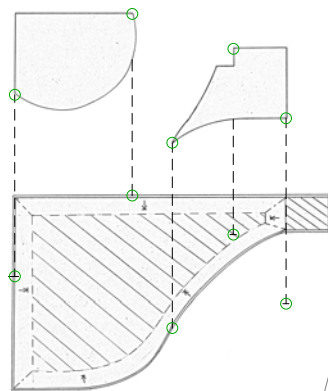


GLENDALE COMMUNITY COLLEGE
ARCHITECTURE DEPARTMENT

COLLEGE PORTFOLIO, 2013
TIGRAN PARSAMYAN

ARCHER FISH & MUDSKIPPER AQUARIUM

COMBINATION OF
WET & DRY MEDIA.
INSPIRATION FROM
AQUASCAPING

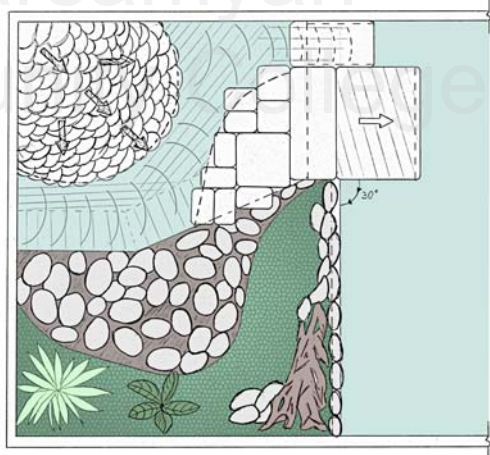
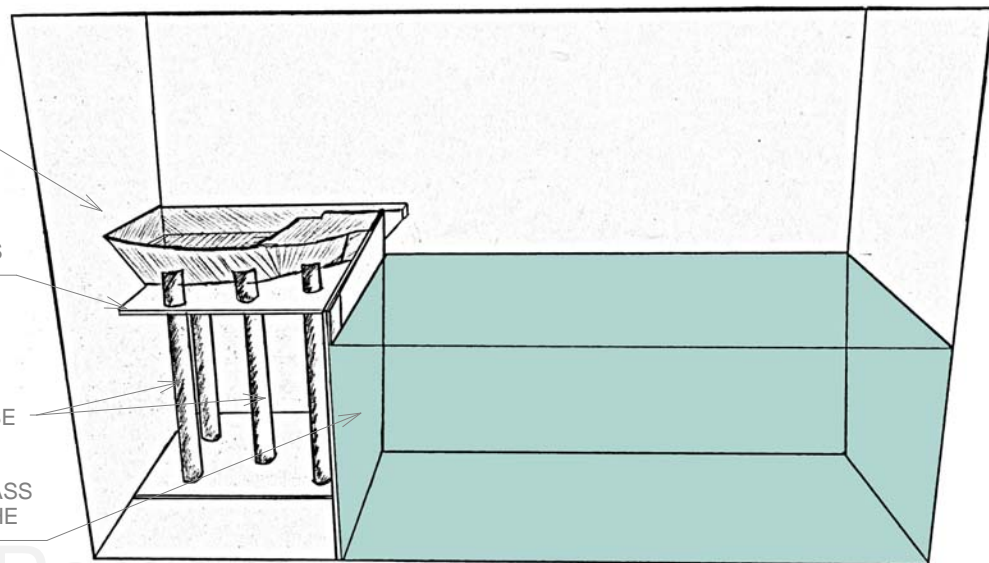
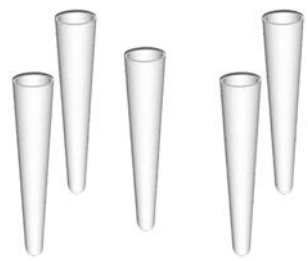
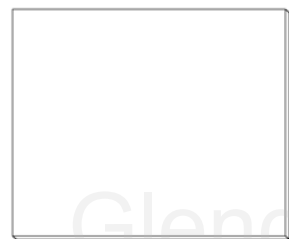


WATER BASIN MADE FROM PLEXIGLASS SHEETS

BASE FOR WATER BASIN: DOUBLE 1/8" PLEXIGLASS SHEETS

5 PVC PIPES USED AS COLUMNS FOR THE BASE

1/2" ACRYLIC PLEXIGLASS SHEET FOR DIVIDING THE WET & DRY MEDIA



TOP VIEW OF LAND AREA

AQUARIUM SIZE: 36"X15"X24"
STANDARD VOLUME: 50 GALLONS
FINAL VOLUME FOR WATER: 22 GAL.

CONSTRUCTIVE MATERIALS:
 PLEXIGLASS SHEETS,
 PVC PIPES, AQUARIUM SEALANT, UNDERWATER LED LIGHTS, SAND, GARDEN SOIL, DECORATIVE ROCKS, DRIFTWOOD.

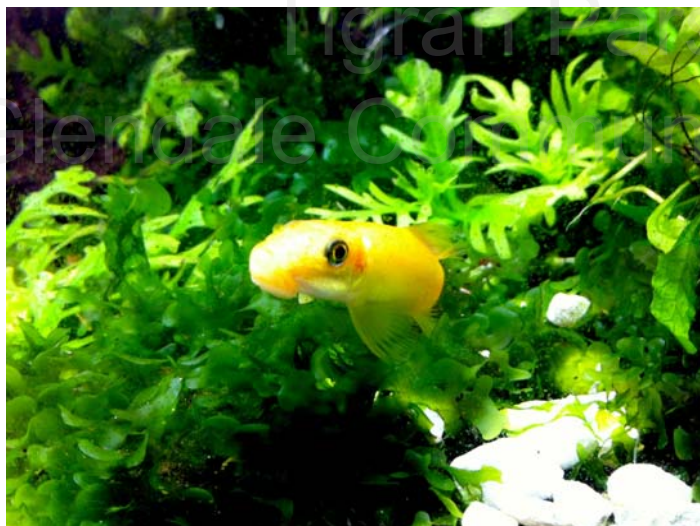
AQUARIUM EQUIPMENT:
 FOUR 39 WATT T5 LIGHT BULBS, RENA CANISTER FILTER, CO2 TANK, UV LIGHT STERILIZER, POWERHEAD.



22 GALLONS OF WATER INSIDE THE AQUARIUM



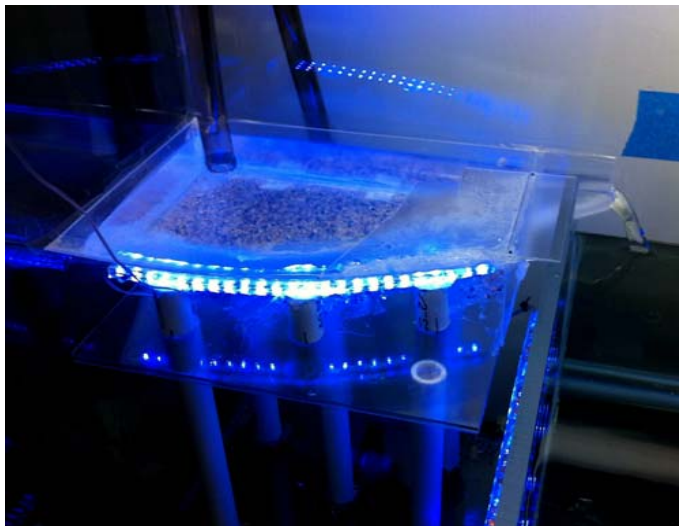
ARCHER FISH & AQUATIC PLANTS INSIDE THE AQUARIUM



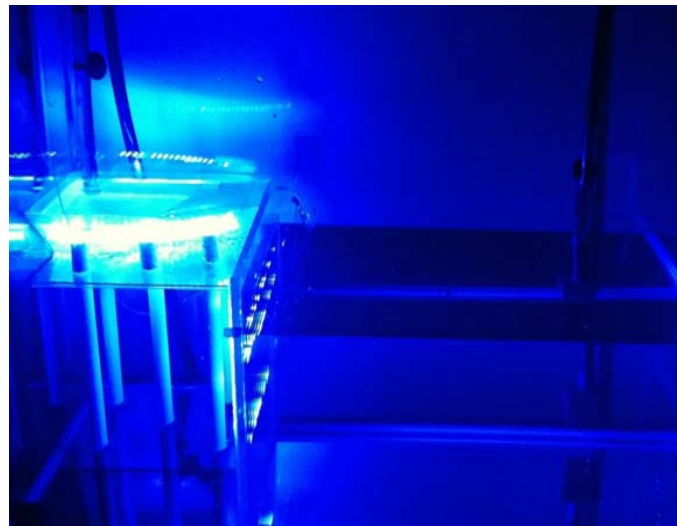
GOLDEN ALGAE EATER/CLEANER FISH



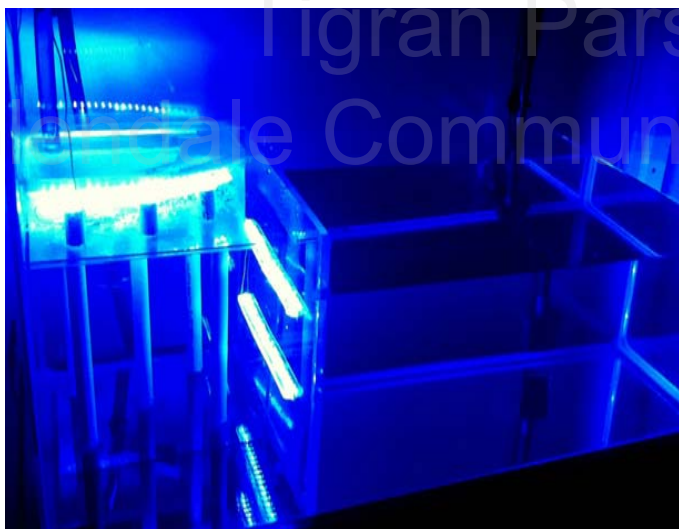
WATER BASIN FROM PLEXIGLASS SHEETS WITH AQUATIC SEALANT



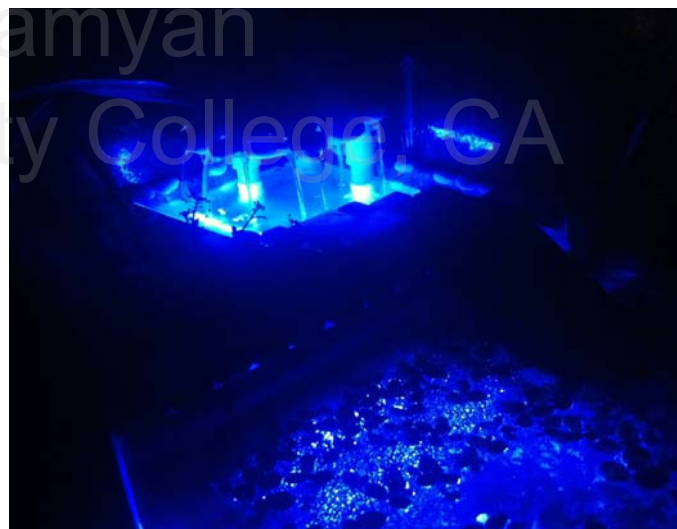
WATER BASIN FROM PLEXIGLASS SHEETS WITH LEDs



STRUCTURAL FRONT VIEW OF AQUARIUM WITH LEDs



STRUCTURAL ANGLED VIEW OF AQUARIUM WITH LEDs



WATER BASIN COVERED WITH GARDEN SOIL AND OTHER DECOR



WATERFALL EFFECT WITH LEDs



COMPLETE AQUARIUM VIEW WITH LEDs AT NIGHT



TWO STRIPS OF LEDs HIDDEN BEHIND THE PLEXIGLASS SHEET



CLOSER VIEW OF THE AQUATIC PLANTS

Tigran PARSATSIYAN
THANK YOU
Glendale Community College, CA

TECHNICAL KNOWLEDGE:

AUTODESK REVIT 2013
AUTODESK AUTOCAD 2013
ADOBE PHOTOSHOP CS3
AUTODESK AUTOCAD
ADOBE PHOTOSHOP