



VIEW FROM SHOREWALK

MIDNIGHT SHADOW

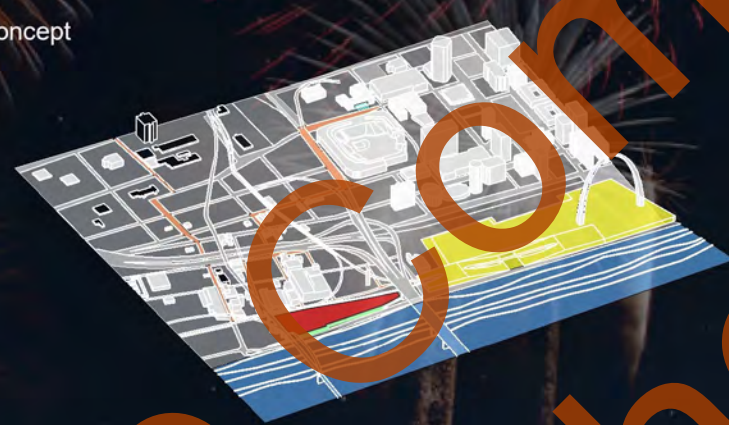
Midnight Shadow is a connection point for local artisans and visitors to learn and marvel at the steel construction facility. The proposed strategy involves extending the city grid into the site, which will pass through the open arch gateway under the railroad bridge. The walking platform cuts across the building and rises over the levee wall and is cantilevered over the shoreline. It replaces The Mural Mile experience with a new elevated shorewalk experience. Using the reflection of the Mississippi River, lights are put in place to showcase four different structural beam shapes, enhancing the site's appeal and intriguing potential visitors. It includes multiple photovoltaic panels on the roof facing south to collect solar power, and a skylight roof panels facing north to reduce the lighting usage during the daytime within the facility. A rainwater collection and filtration system is also in place for recycling rainwater for restroom usage. This design not only enhances the site's functionality but also demonstrates the commitment to responsible urban development.

Site Analysis



- Site
- Hotels
- Fast Food
- Apartments
- Public Attractions
- Industrial Warehouses
- Government Buildings
- Office Buildings
- Public Parks
- Mississippi River
- Parking/Other

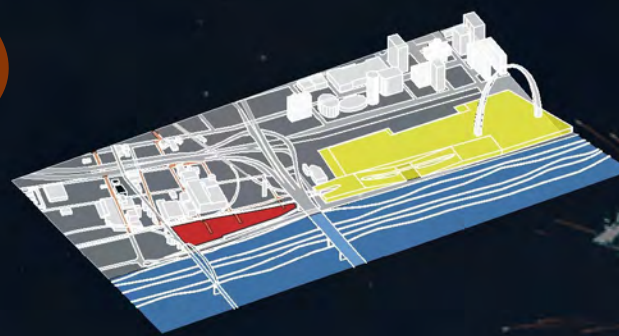
Concept



- Gateway Arch
- Street Grid
- Mural Mile
- Site



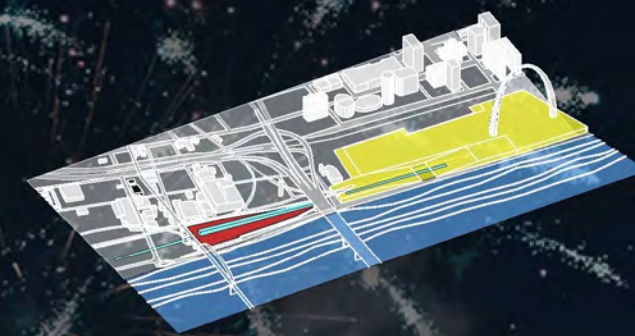
Street extension cuts through site forming private circulation



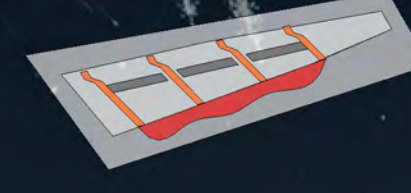
Extend street grid into site



Street extension forms public circulation above levee wall towards shoreline



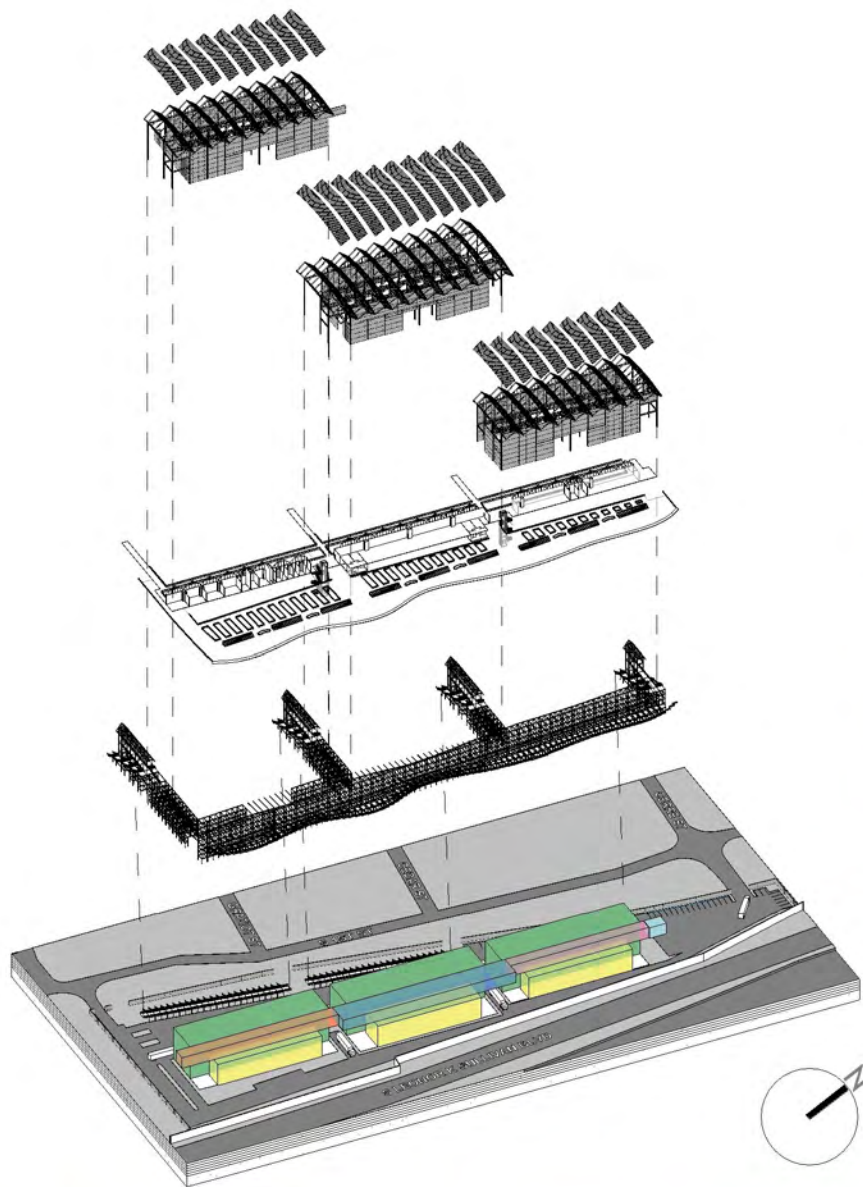
Align program to Gateway Arch to create a relationship



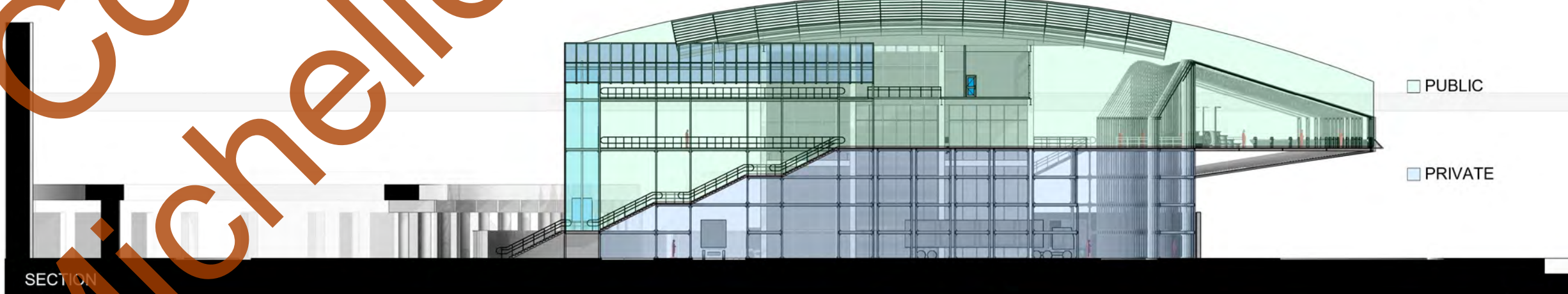
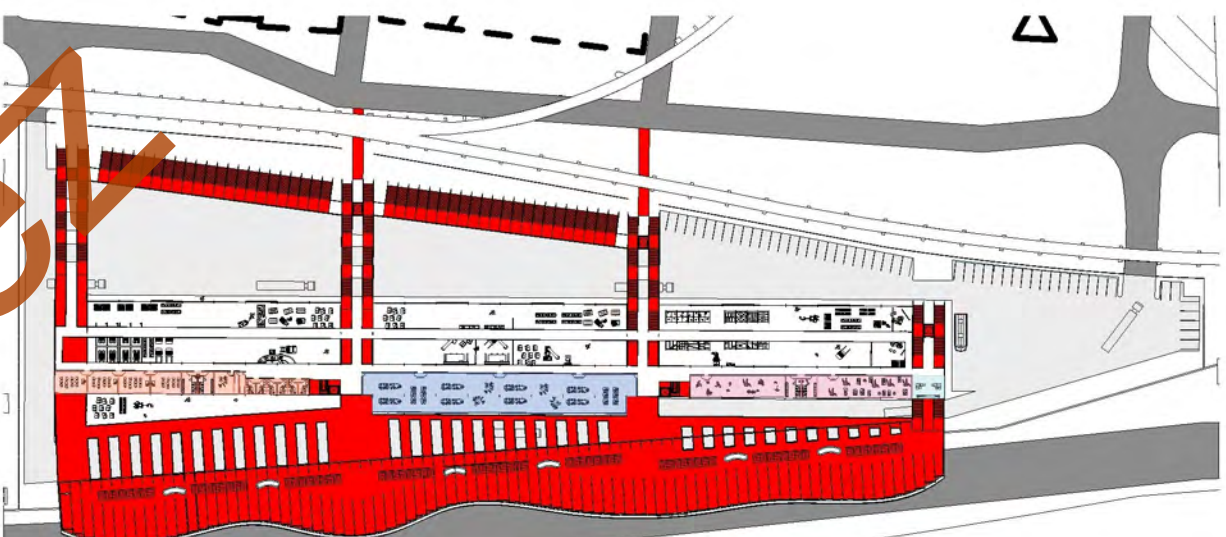
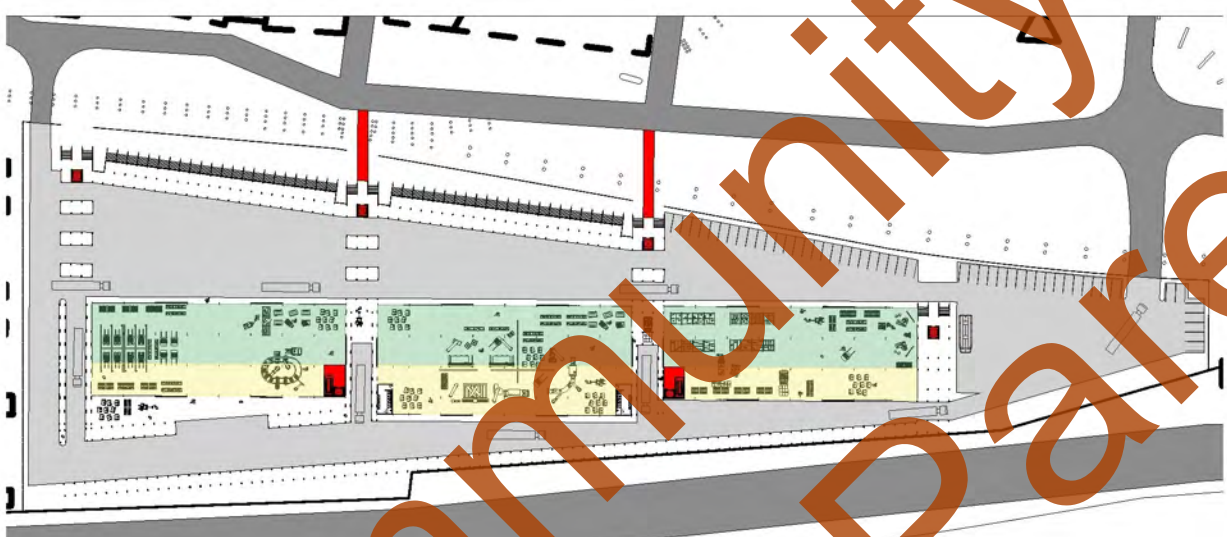
Elevated shorewalk creates new space for mural art



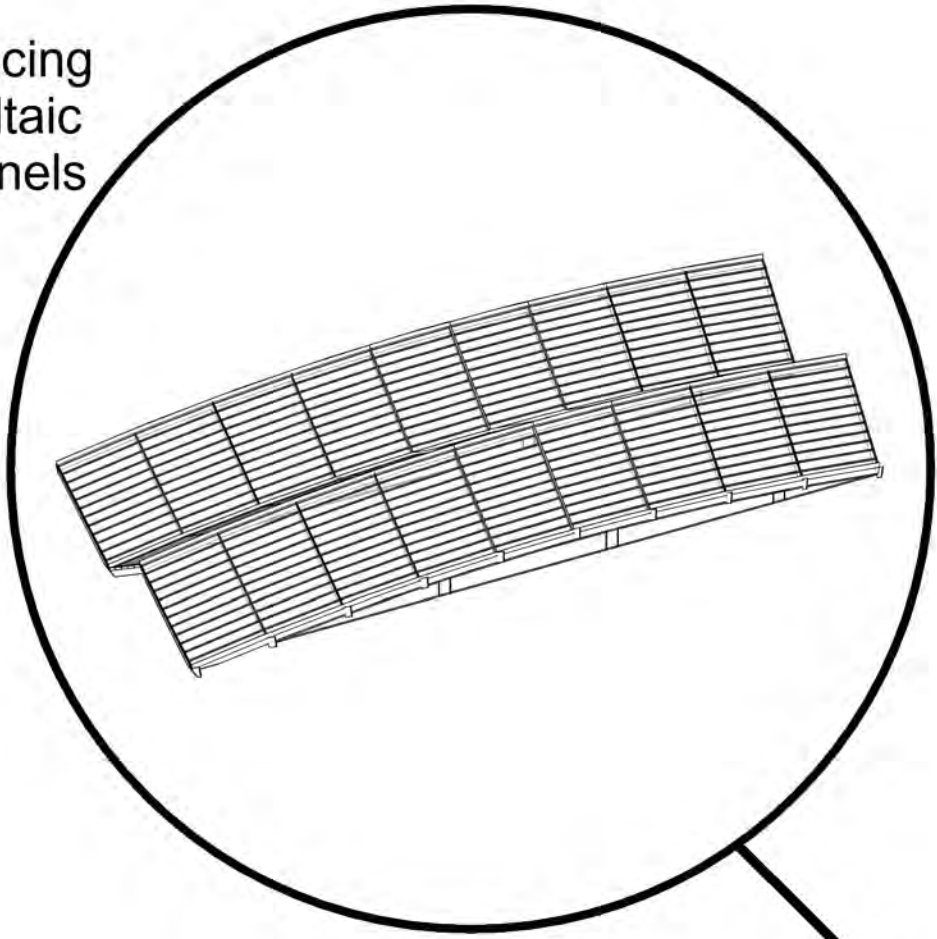
VIEW FROM MISSISSIPPI RIVER



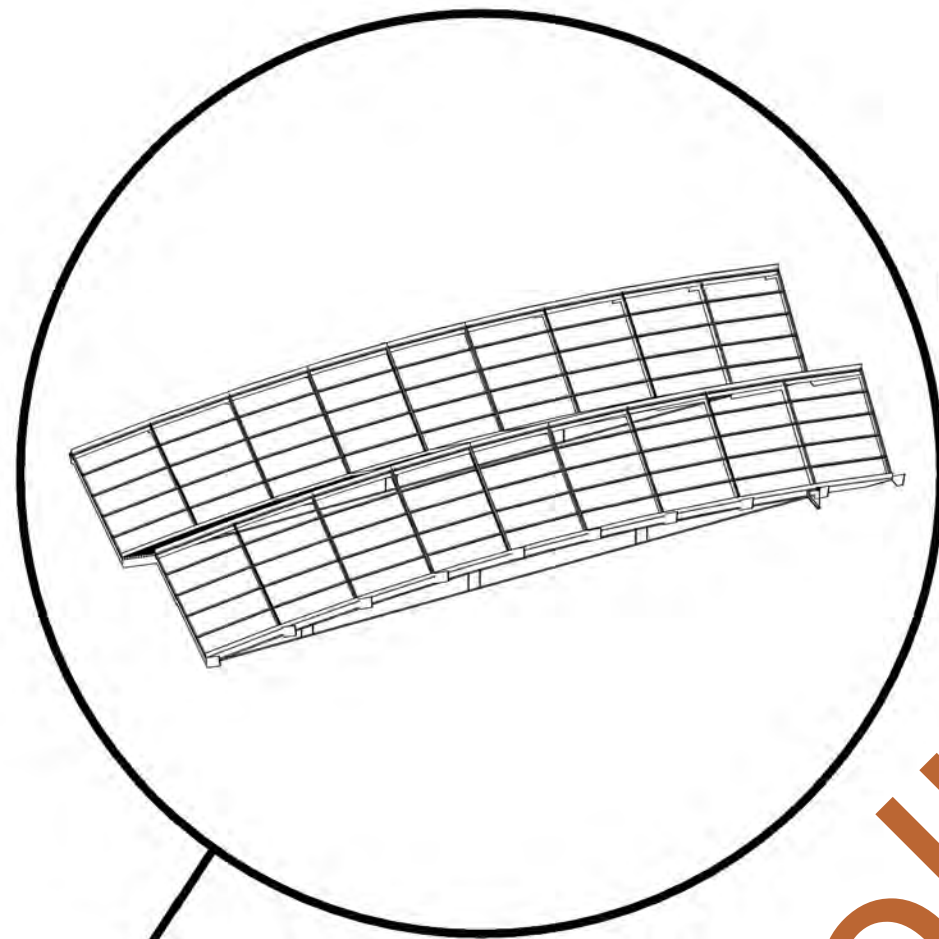
- LEGEND:
- Open Bays
 - Workshop/Laboratory
 - Training Room
 - Lobby/Public Restrooms
 - Classrooms/Offices
 - Daycare
 - Exterior Yard
 - Circulation Access



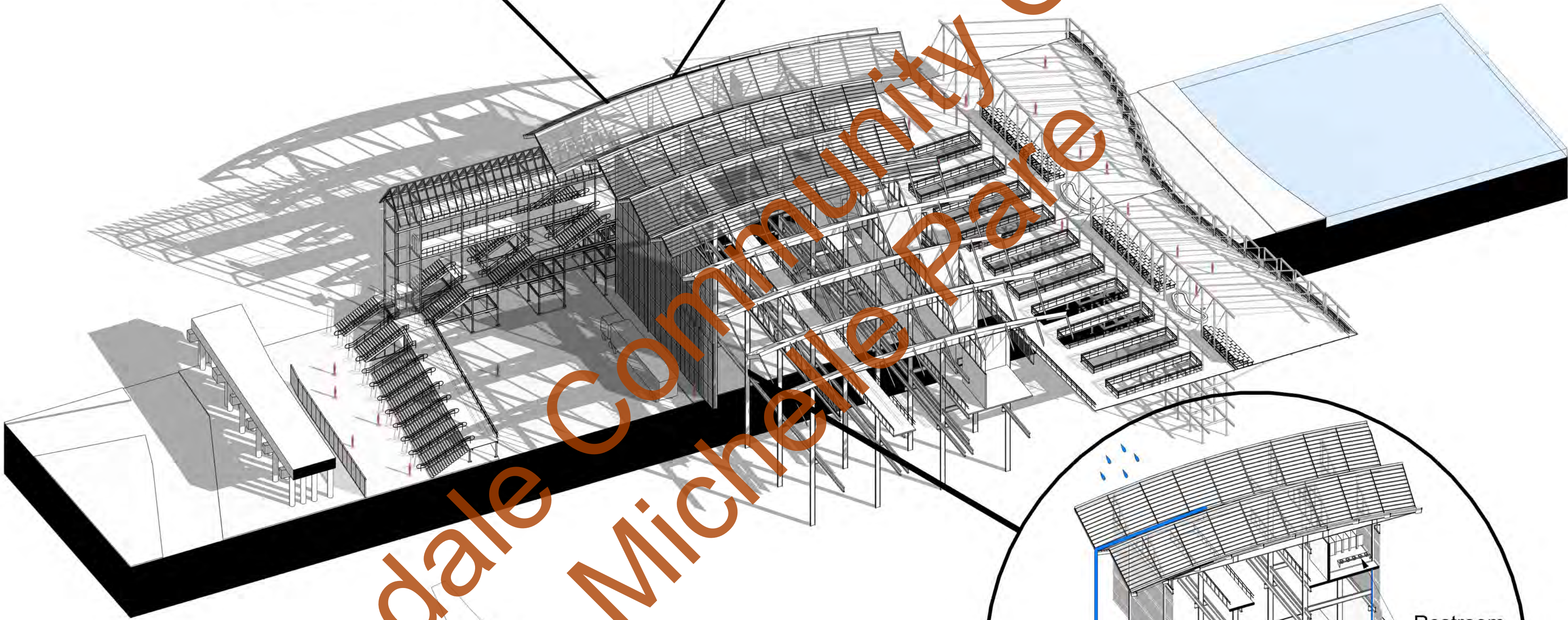
South Facing Photovoltaic Solar Panels



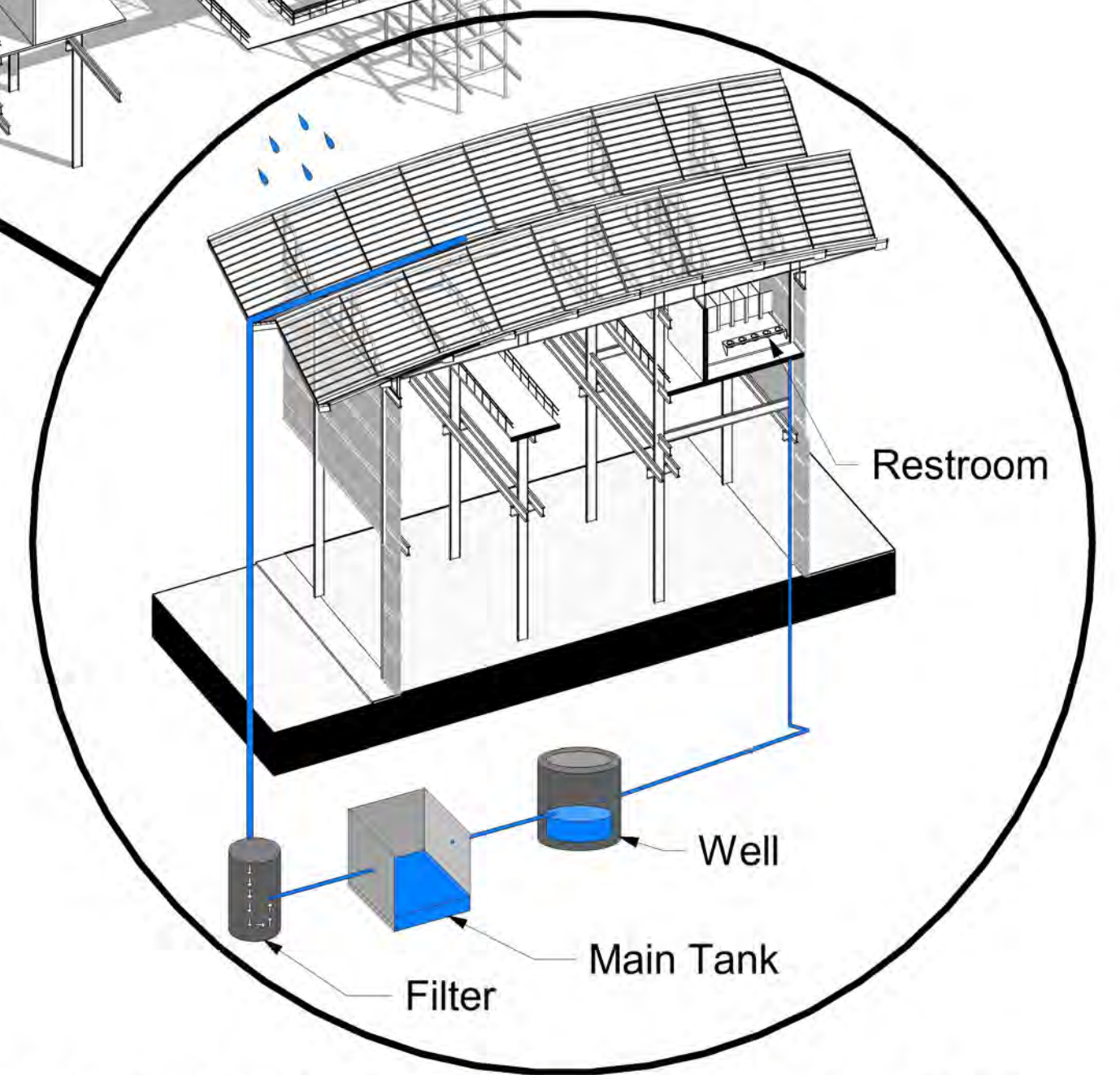
North Facing Skylight



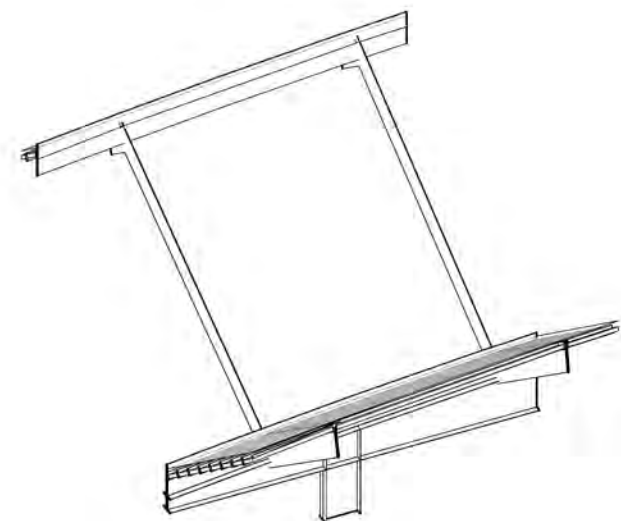
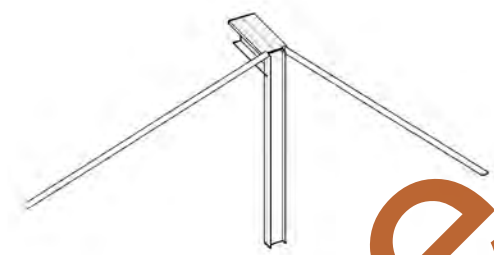
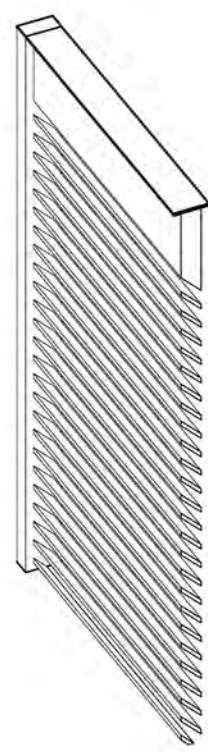
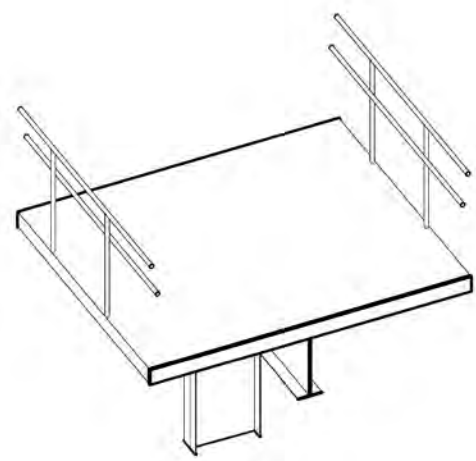
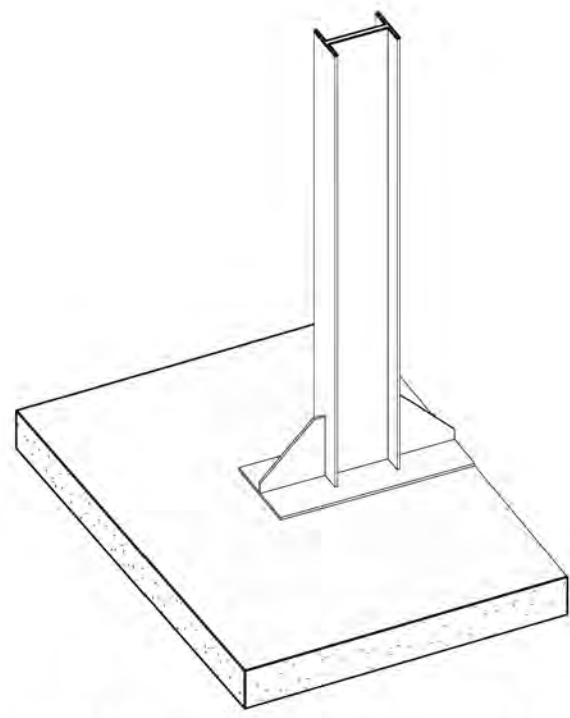
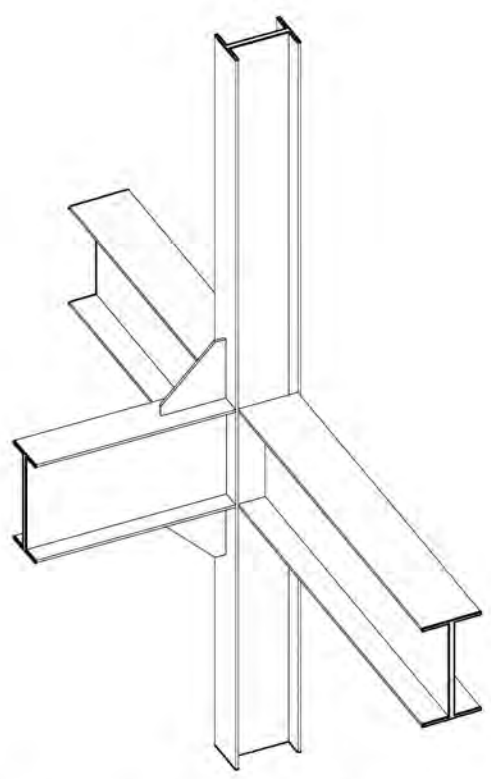
Glendale Community College
Michelle Pare



Rainwater Collection and Filtration System



WEST ELEVATION



1. Beam to Column

2. Column to Footer

3. Floor Support

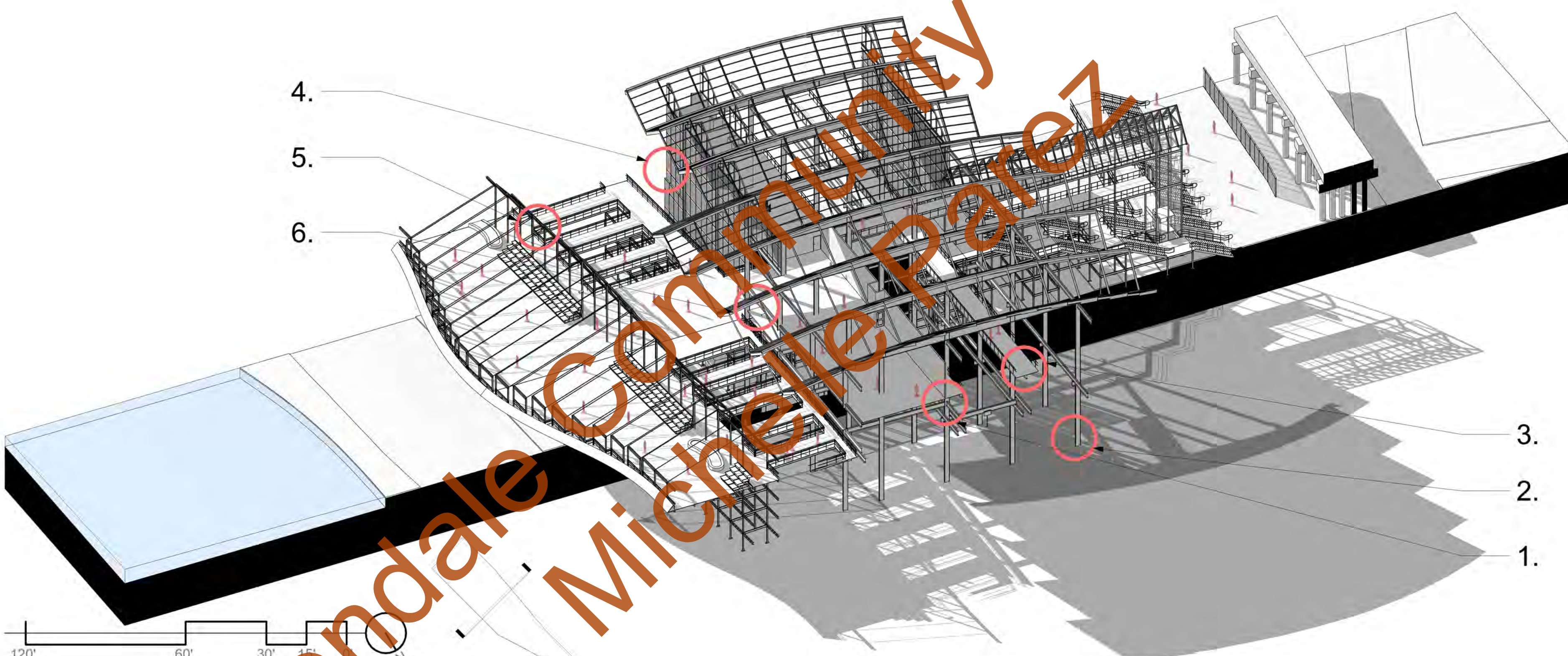
4. Wall Detail

5. Cantilever Cable Connection

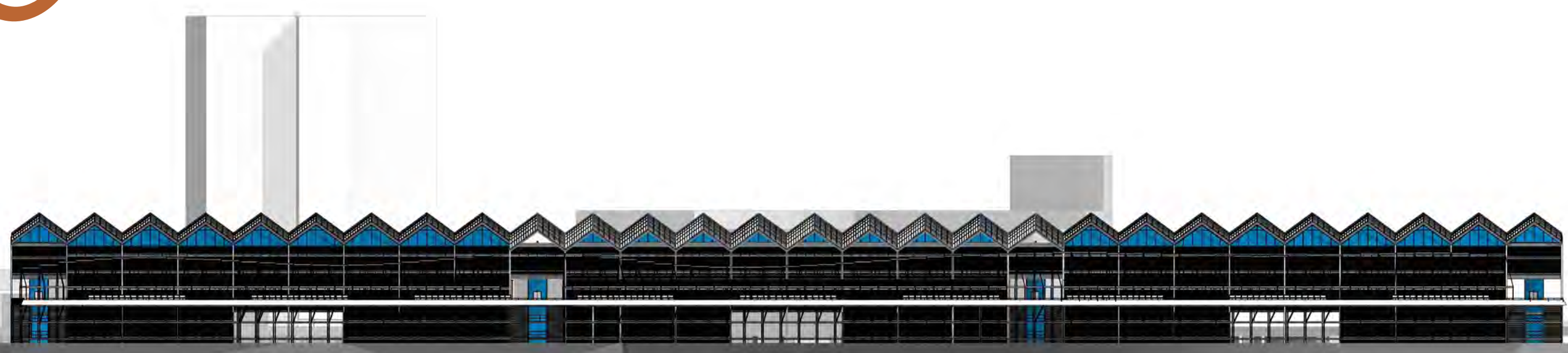
6. Roof Frame

- 4.
- 5.
- 6.

- 3.
- 2.
- 1.



Glendale Community College
Michelle Patez



EAST ELEVATION